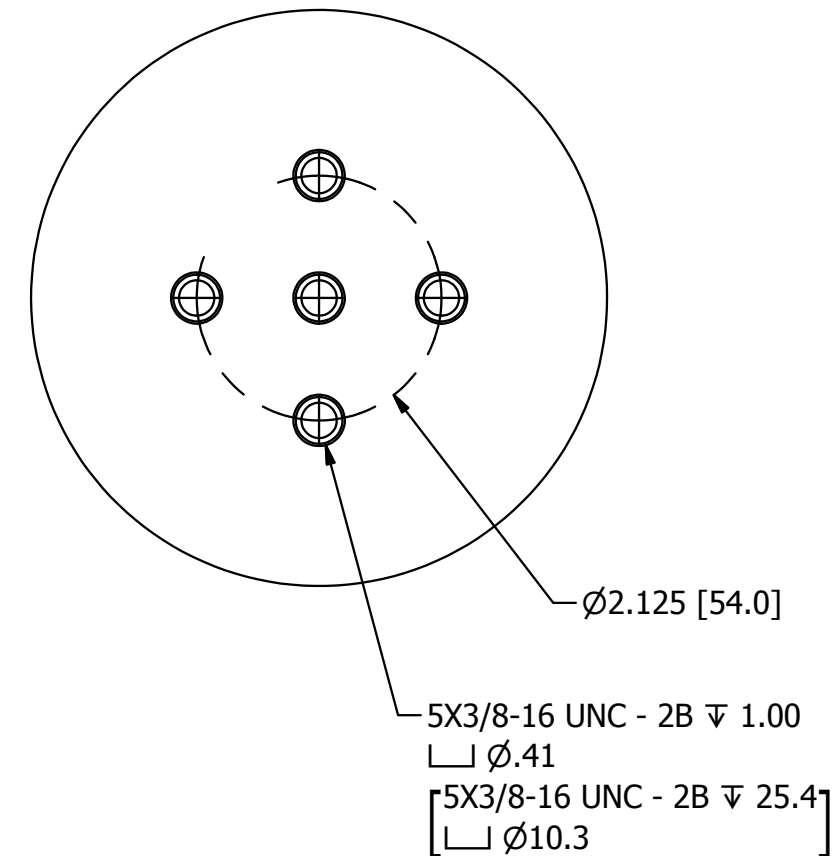
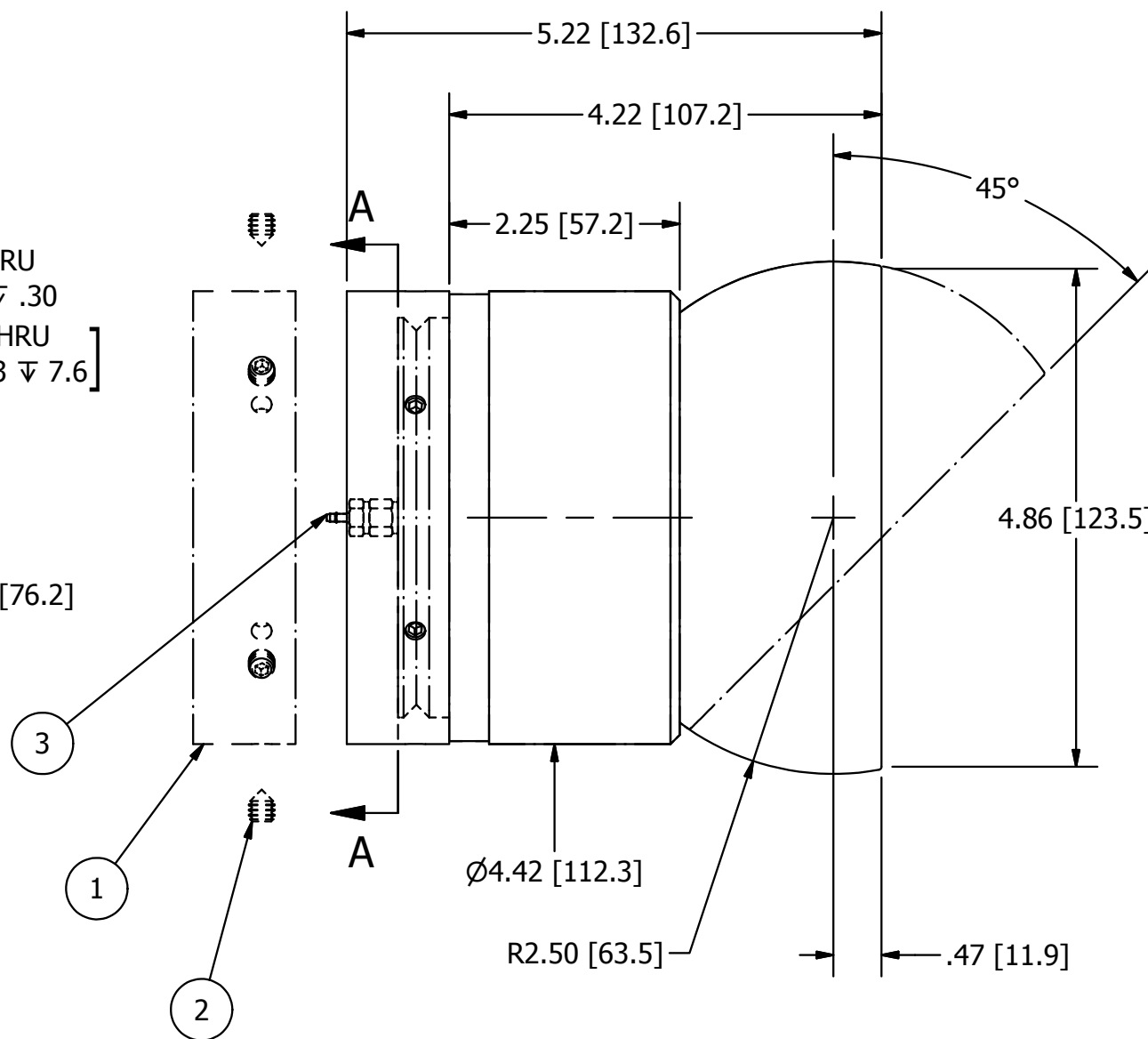
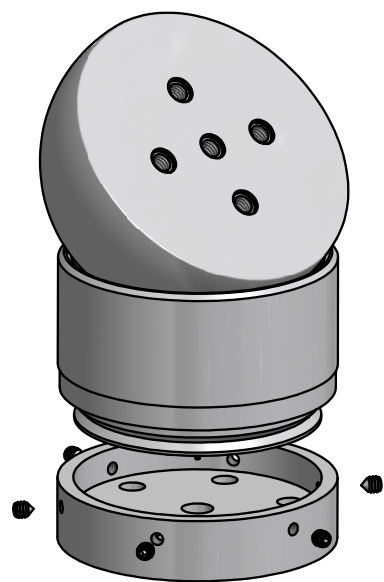


SECTION A-A  
PEDESTAL ADAPTER



PARTS LIST			
ITEM	QTY	PART NUMBER	DESCRIPTION
1	1	100-21148	SRA250-R45 PEDESTAL ADAPTER PLATE
2	6	201-10059	1/4-20 UNC X 0.25 Hexagon Socket Set Screw - Cone Point
3	1	300-10410	M5SB16 M5 STRAIGHT BARBED FITTING FOR 1.6MM I.D. TUBING

**SPECIALTY COMPONENTS**

14 VILLAGE LANE - WALLINGFORD, CT 06492  
 TEL: 203.284.9112 - FAX: 203.672.0371  
 WEB: WWW.SPECIALTYCOMPONENTS.COM  
 MAIL: INFODIRECT@SPECIALTYCOMPONENTS.COM

1/13/2015

TITLE  
 ASSY, SRA250-R45 SPHERICAL AIR BEARING

DRAWING NUMBER  
**620-39128**

© 2011 - SPECIALTY COMPONENTS