

4

3

2

1

D

D

C

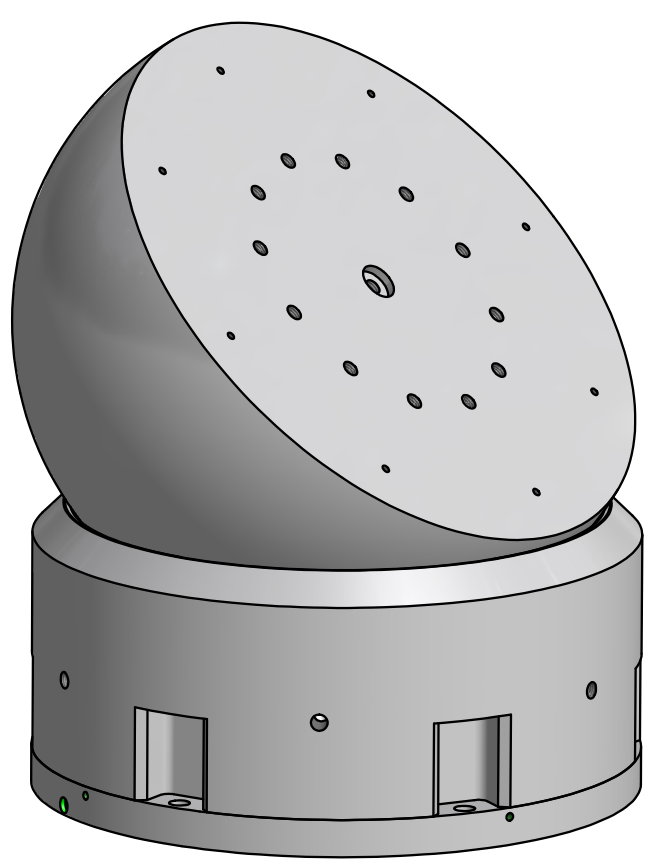
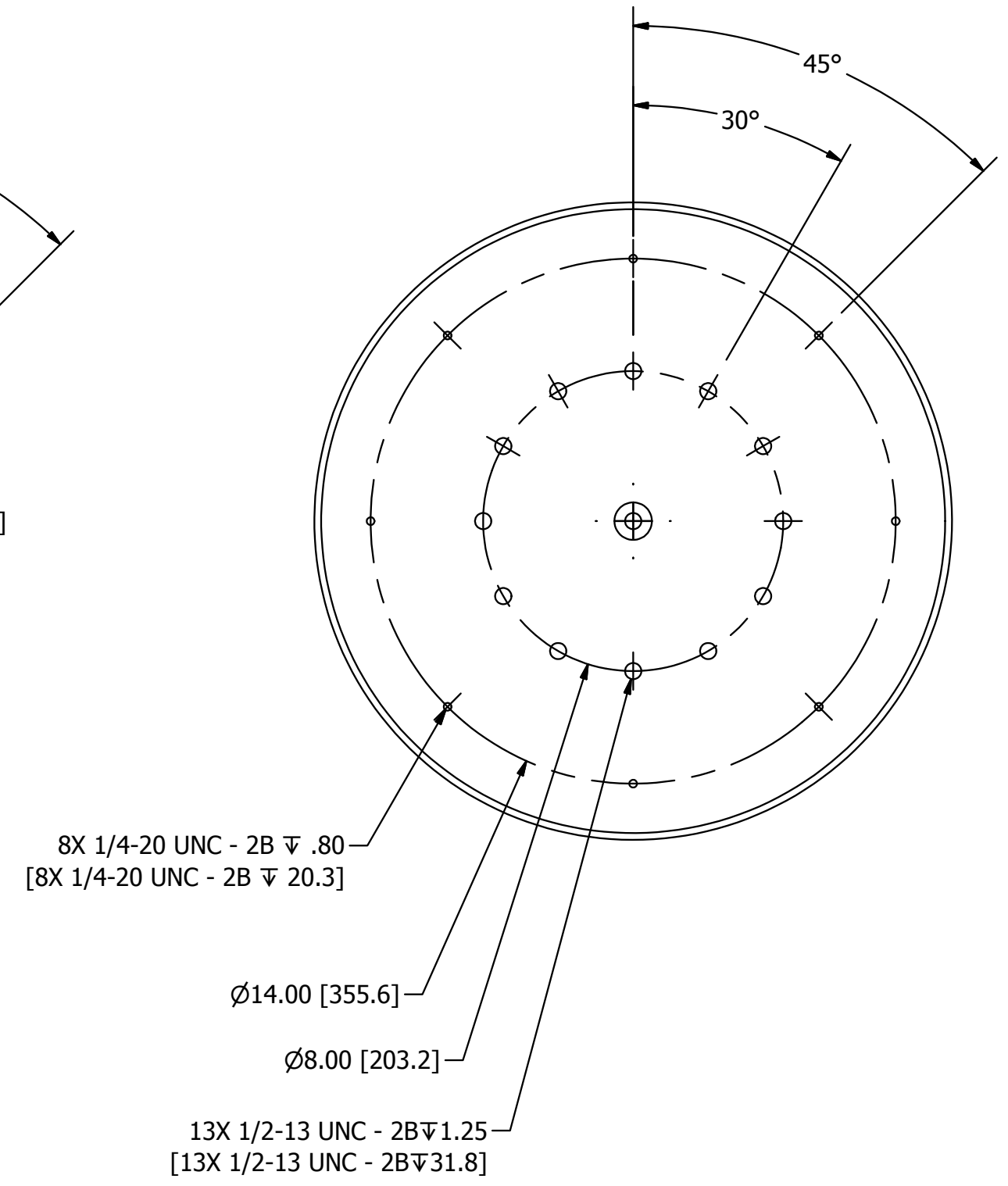
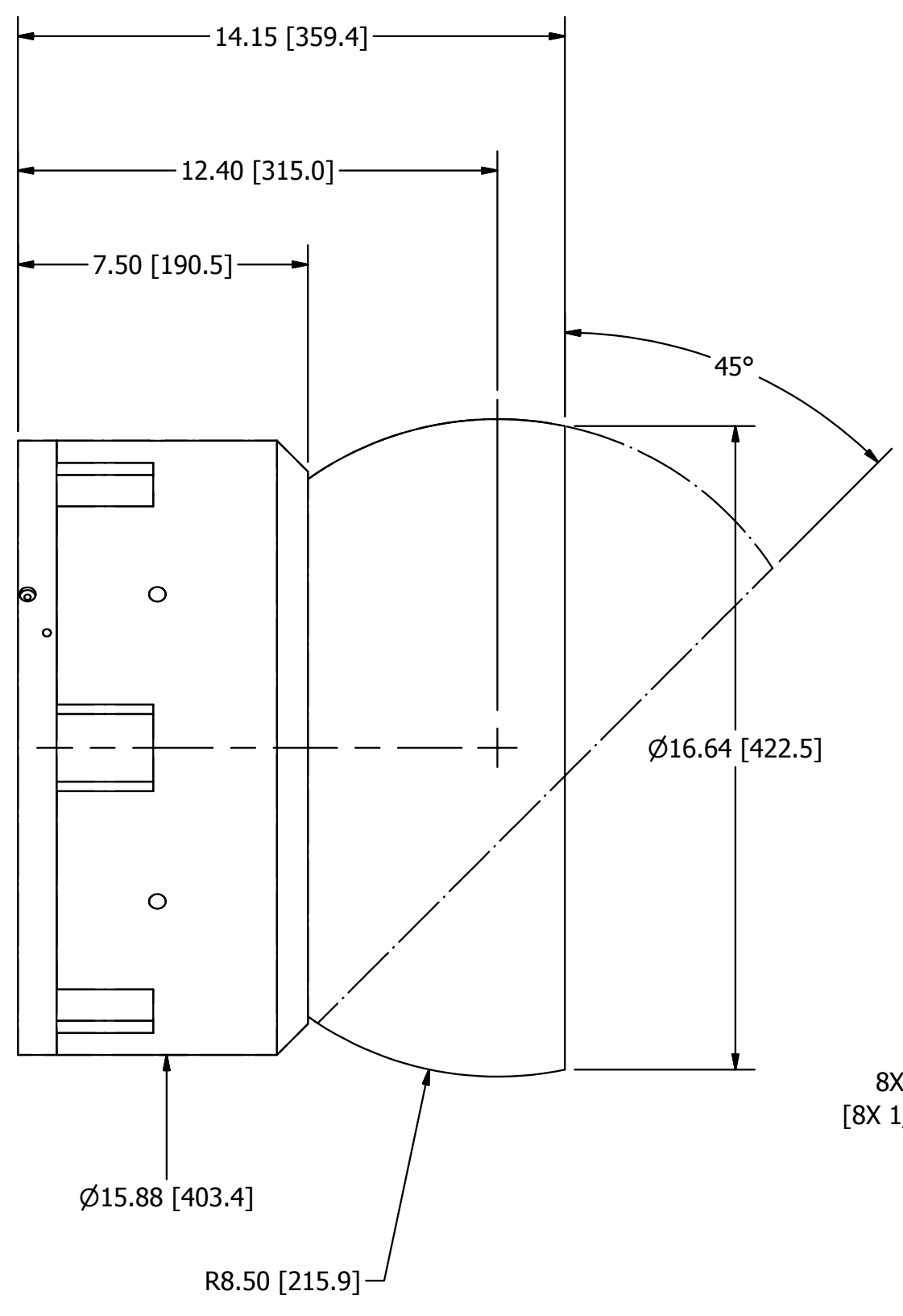
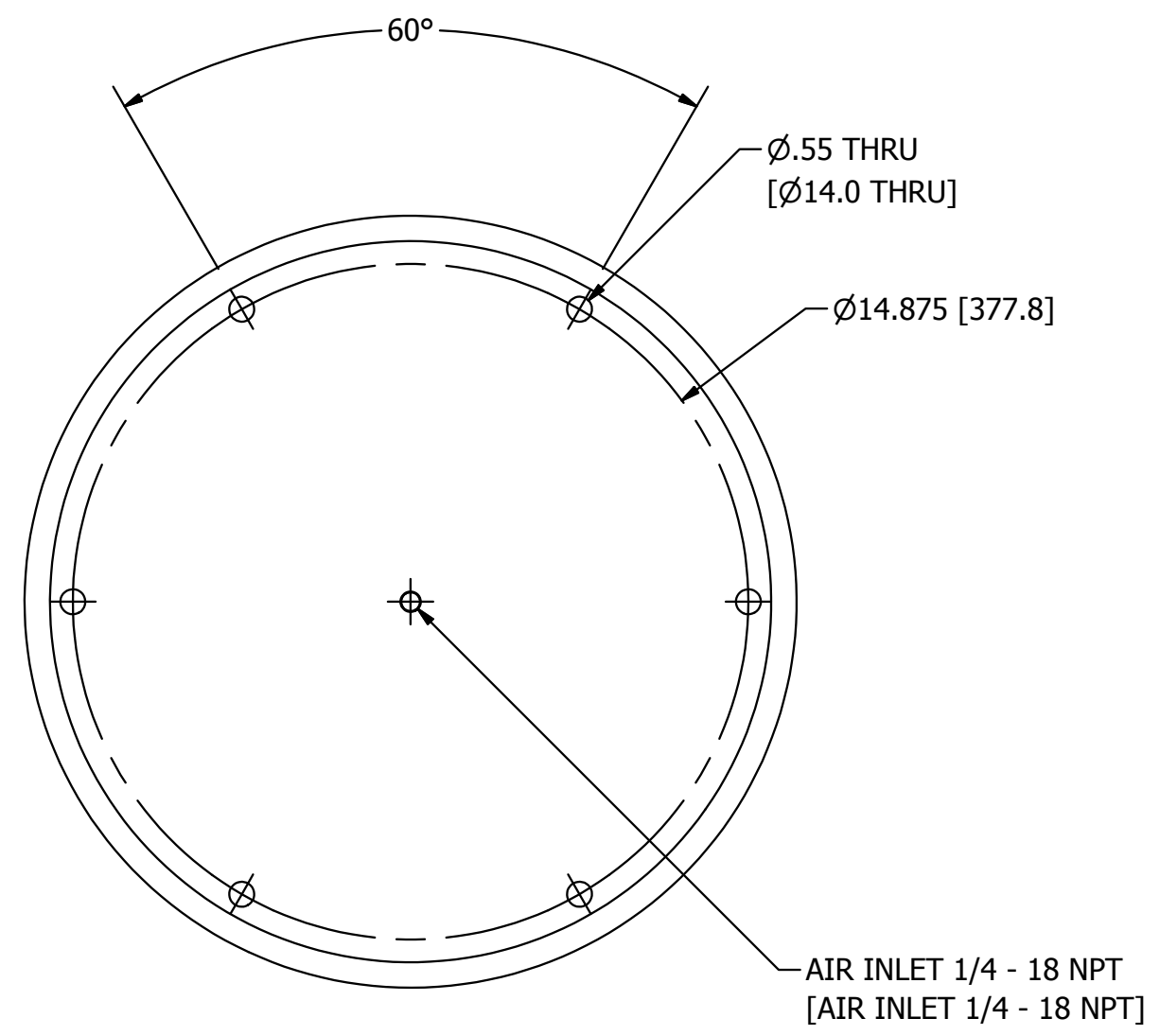
C

B

B

A

A



<small>14 VILLAGE LANE - WALLINGFORD, CT 06492 TEL: 203.264.9112 - FAX: 203.672.0371 WEB: WWW.SPECIALTYCOMPONENTS.COM MAIL: INFO@RECT@SPECIALTYCOMPONENTS.COM</small>	
<small>1/22/2015</small>	TITLE ASSY, SRA850-R45 SPHERICAL AIR BEARING
DRAWING NUMBER 620-39129	
<small>© 2011 - SPECIALTY COMPONENTS</small>	

4

3

2

1