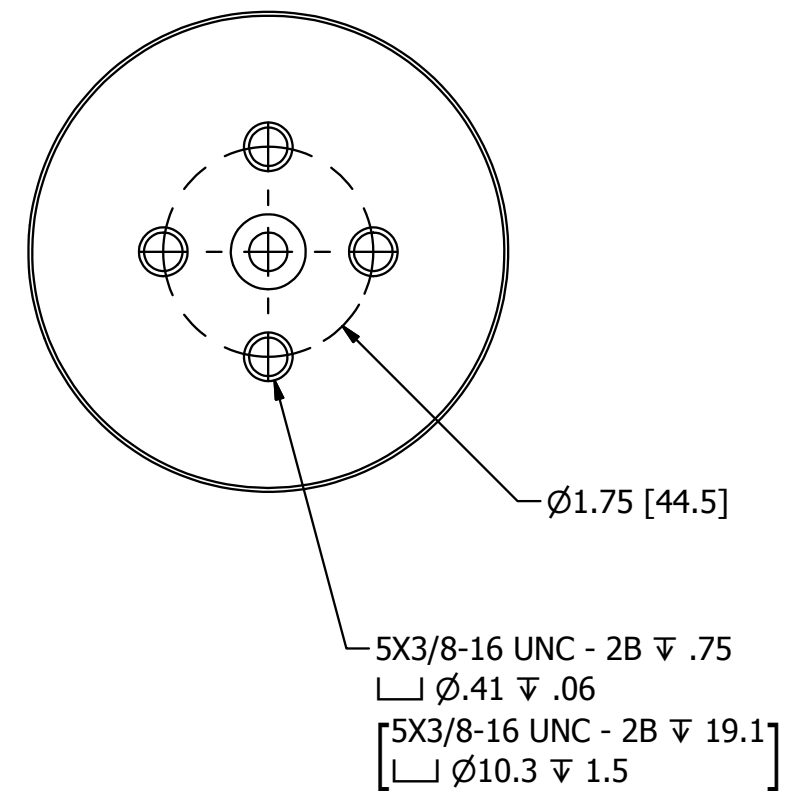
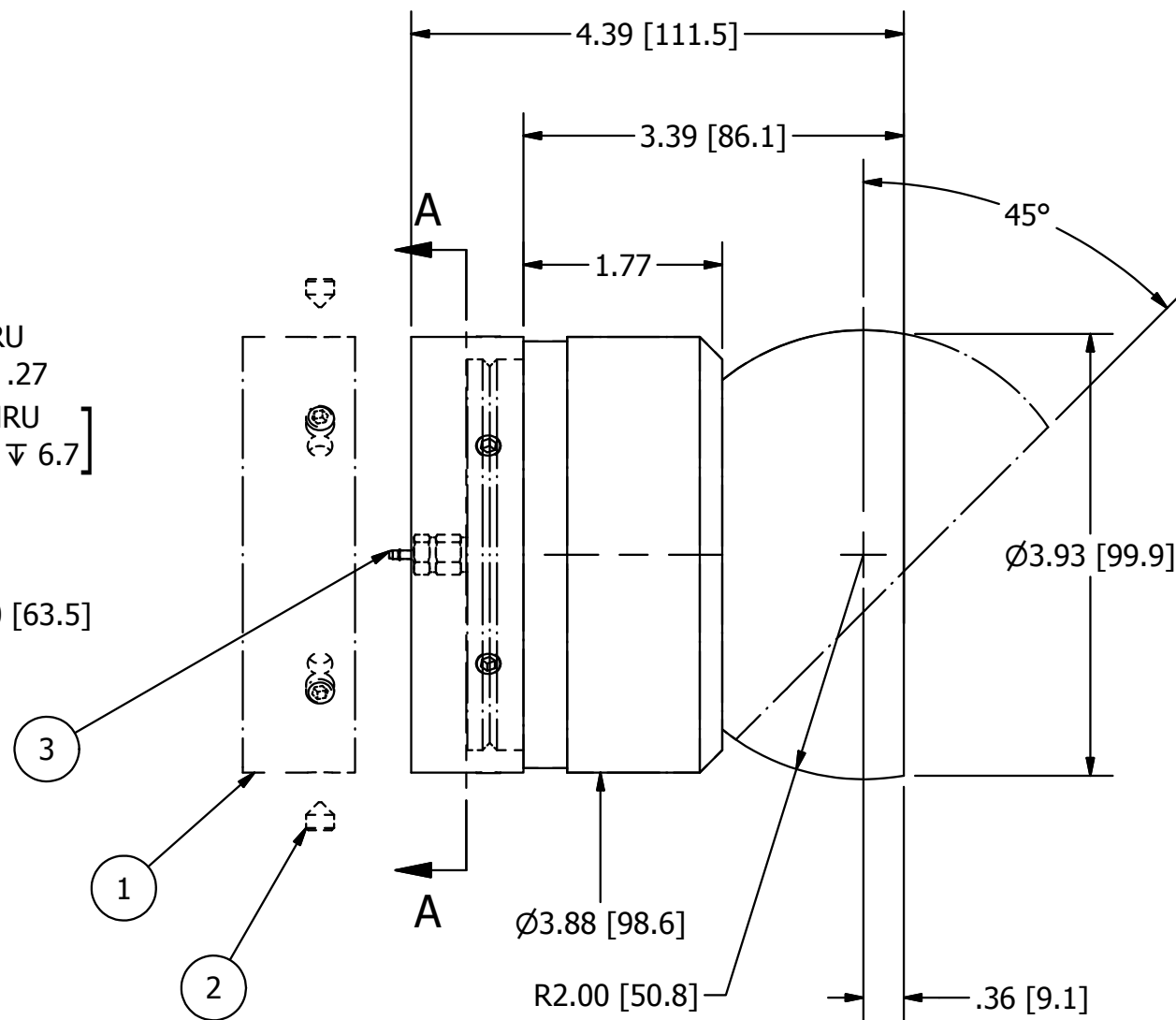
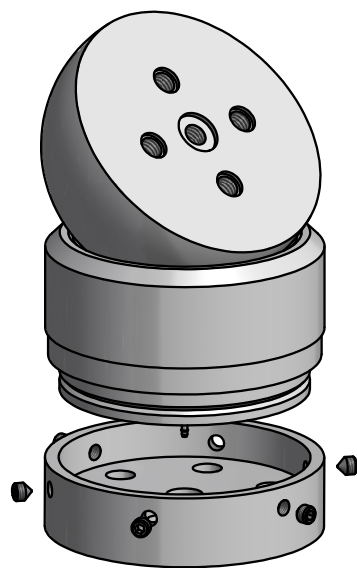


SECTION A-A
 PEDESTAL ADAPTER



SPECIALTY COMPONENTS

14 VILLAGE LANE - WALLINGFORD, CT 06492
 TEL: 203.284.9112 - FAX: 203.672.0371
 WEB: WWW.SPECIALTYCOMPONENTS.COM
 MAIL: INFO@SPECIALTYCOMPONENTS.COM

1/12/2015

TITLE
 ASSY, SRA200-R45 SPHERICAL AIR BEARING

DRAWING NUMBER
620-39130

© 2011 - SPECIALTY COMPONENTS

| PARTS LIST | | | |
|------------|-----|-------------|---|
| ITEM | QTY | PART NUMBER | DESCRIPTION |
| 1 | 1 | 100-21142 | SRA200-R45 PEDESTAL ADAPTER |
| 2 | 6 | 201-10058 | 1/4-28 UNF x 0.25 Hexagon Socket Set Screw - Cone Point |
| 3 | 1 | 300-10410 | M5SB16 M5 STRAIGHT BARBED FITTING FOR 1.6MM I.D. TUBING |