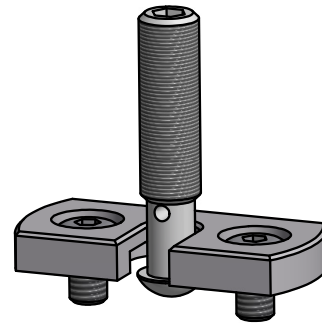
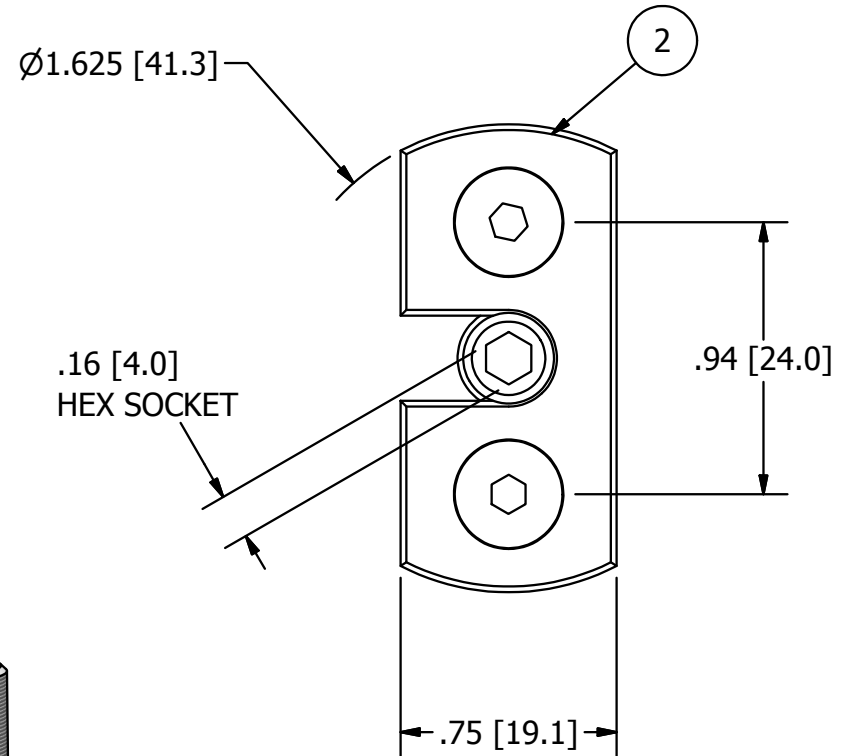
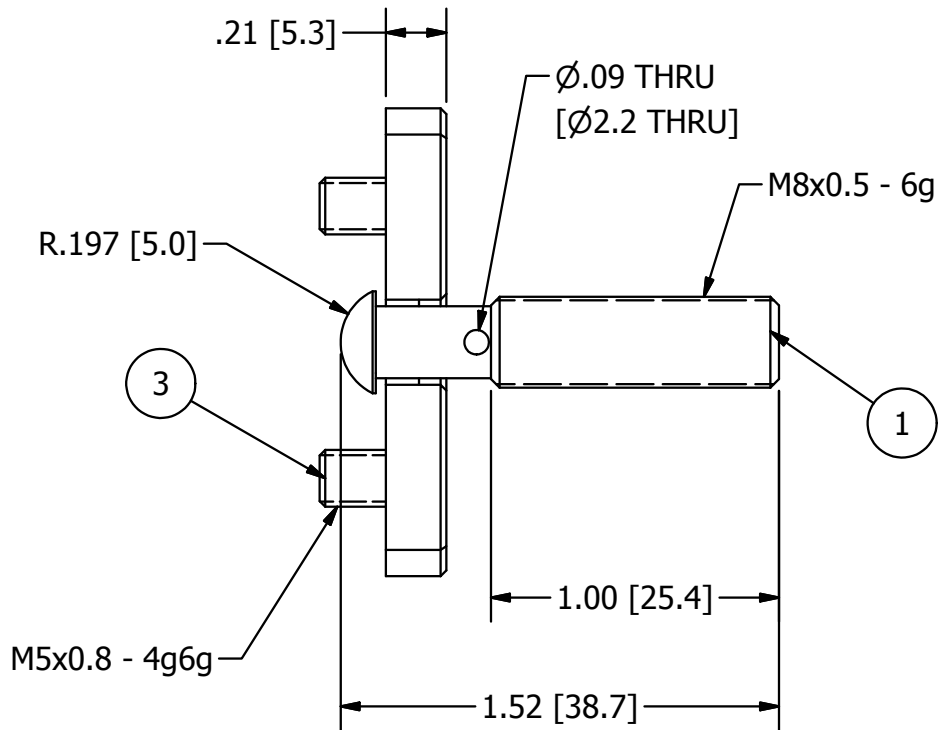


NOTE: KIT IS PACKAGED UNASSEMBLED



SPECIALTY COMPONENTS

1/2/2015

14 VILLAGE LANE - WALLINGFORD, CT 06492
 TEL: 203.284.9112 - FAX: 203.672.0371
 WEB: WWW.SPECIALTYCOMPONENTS.COM
 MAIL: INFO@SPECIALTYCOMPONENTS.COM

TITLE
STEMKIT-24

DRAWING NUMBER
670-21414

© 2011 - SPECIALTY COMPONENTS

PARTS LIST

ITEM	QTY	PART NUMBER	DESCRIPTION
1	1	100-21437	R5M8 BALL STEM
2	1	100-21463	RETAINER
3	2	200-20204	M5 x 0.8 x 8 Button Head Cap Screw - Metric