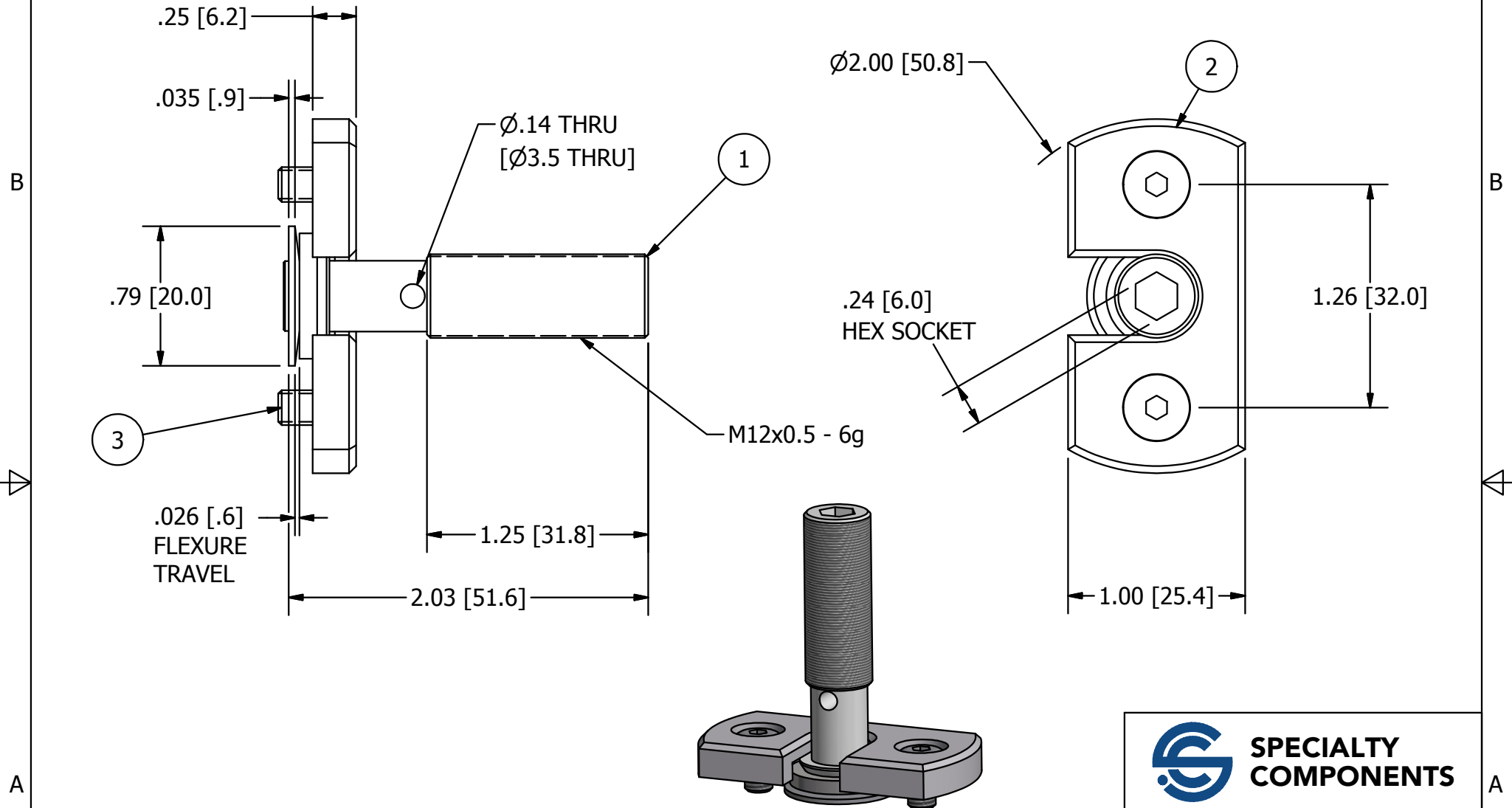



NOTE: KIT IS PACKAGED UNASSEMBLED



PARTS LIST			
ITEM	QTY	PART NUMBER	DESCRIPTION
1	1	100-21472	R8M12 BALL STEM
2	1	100-21474	RETAINER
3	2	200-20204	M5X0.8 x 8mm BHCS



SPECIALTY COMPONENTS

14 VILLAGE LANE - WALLINGFORD, CT 06492
 TEL: 203.284.9112 - FAX: 203.672.0371
 WEB: WWW.SPECIALTYCOMPONENTS.COM
 MAIL: INFODIRECT@SPECIALTYCOMPONENTS.COM

1/2/2015

TITLE
FLEXXIT-346

DRAWING NUMBER
670-21420

© 2011 - SPECIALTY COMPONENTS