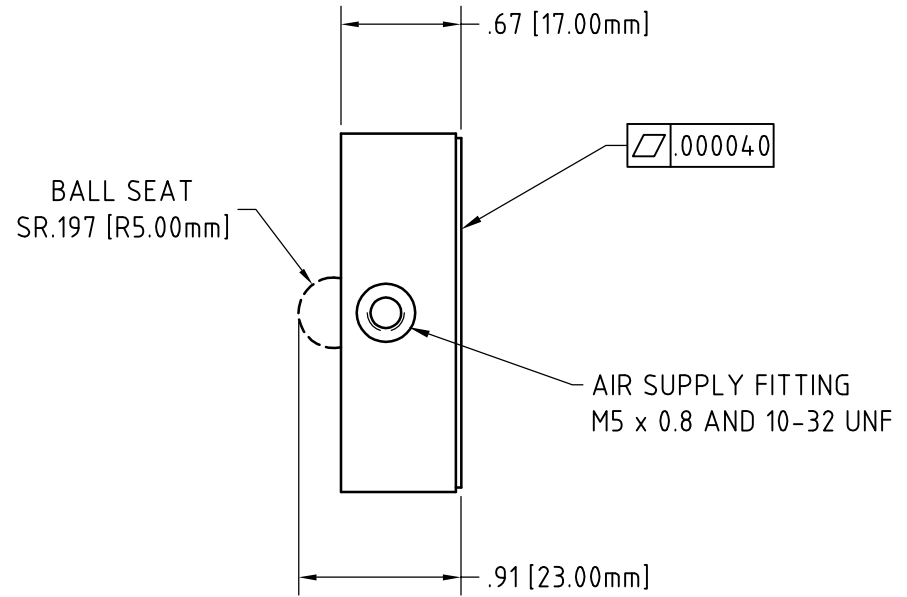
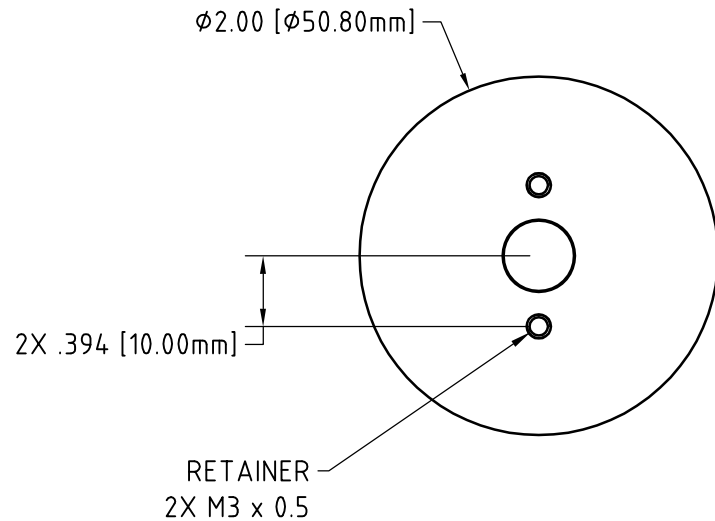



NOTES (UNLESS SPECIFIED):

1. ALL DIMENSIONS IN INCHES
2. DO NOT EXCEED RECOMMENDED LOADING SPECIFICATIONS
3. DO NOT CUT, DRILL OR MODIFY ANY PORTION OF THIS BEARING

#	DESCRIPTION	DATE	APPROVED
AF	SPECIFICATION RELEASE	3/25/2002	IWL



MATERIAL ALUMINUM / POROUS CARBON	NAME	DATE	 SPECIALTY COMPONENTS INC.
	DRAWN GWB	2/18/2002	
	CHECKED		
FINISH	APPROVED		CAGE CODE 1TV41
PART NUMBER	THIS DRAWING, INCLUDING ALL SUBJECT MATTER, ENCLOSES CONFIDENTIAL INFORMATION OF SPECIALTY COMPONENTS, INC. AND IS LOANED WITH THE UNDERSTANDING THAT IT SHALL BE RETURNED. IT WILL NOT BE USED FOR ANY PURPOSE EXCEPT THAT FOR WHICH LOANED UNLESS WRITTEN PERMISSION IS GRANTED BY THE OWNER. ANY DUPLICATION OF THIS DOCUMENT IS STRICTLY PROHIBITED. © specialty components, inc.		14 VILLAGE LANE - HALLINGFORD, CT 06442 TEL: 203.284.9112 - FAX 203.672.0371 WEB: WWW.SPECIALTYCOMPONENTS.COM E-MAIL TO: INFO@SPECIALTYCOMPONENTS.COM
TOLERANCES (UNLESS OTHERWISE SPECIFIED)			TITLE LRAP200 AIR BEARING POROUS CARBON LINEAR
DECIMALS X ± .XX ± .XXX ± .015 .010 .005	ANGLE DEG ± ± 30'	UNITS INCHES	SIZE DRAWING NUMBER REV A 610-22003 AF
SCALE		NUMBER OF SHEETS 1	