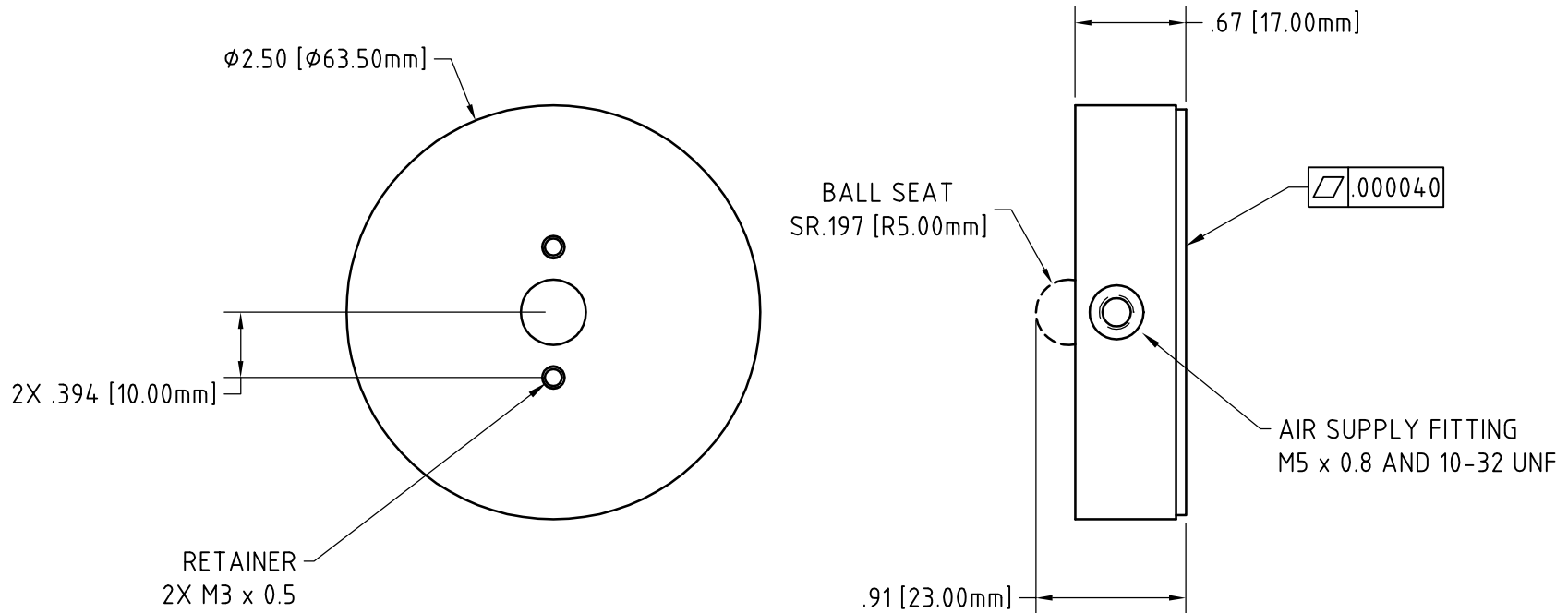


NOTES (UNLESS SPECIFIED):


1. ALL DIMENSIONS IN INCHES
2. DO NOT EXCEED RECOMMENDED LOADING SPECIFICATIONS
3. DO NOT CUT, DRILL OR MODIFY ANY PORTION OF THIS BEARING

#	DESCRIPTION	DATE	APPROVED
AB	SPECIFICATION RELEASE	7/12/2004	IWL



MATERIAL ALUMINUM / POROUS CARBON			
FINISH			
PART NUMBER			
TOLERANCES (UNLESS OTHERWISE SPECIFIED)			
DECIMALS		ANGLE	UNITS
X ±	.XX ±	.XXX ±	DEG ±
.015	.010	.005	30'
			INCHES

NAME		DATE
DRAWN	GWB	4/17/2004
CHECKED		
APPROVED		
<p>THIS DRAWING, INCLUDING ALL SUBJECT MATTER, ENCLOSES CONFIDENTIAL INFORMATION OF SPECIALTY COMPONENTS, INC. AND IS LOANED WITH THE UNDERSTANDING THAT IT SHALL BE RETURNED. IT WILL NOT BE USED FOR ANY PURPOSE EXCEPT THAT FOR WHICH LOANED UNLESS WRITTEN PERMISSION IS GRANTED BY THE OWNER. ANY DUPLICATION OF THIS DOCUMENT IS STRICTLY PROHIBITED.</p> <p>© specialty components, inc.</p>		



SPECIALTY COMPONENTS INC.

CAGE CODE 1TV41	<small>14 VILLAGE LANE - WALLINGFORD, CT 06492 TEL: 203.284.9112 - FAX: 203.672.0371 WEB: WWW.SPECIALTYCOMPONENTS.COM E-MAIL TO: INFO@SPECIALTYCOMPONENTS.COM</small>	
TITLE LRAP250 AIR BEARING POROUS CARBON LINEAR		
SIZE A	DRAWING NUMBER 610-22004	REV AB
SCALE	NUMBER OF SHEETS 1	