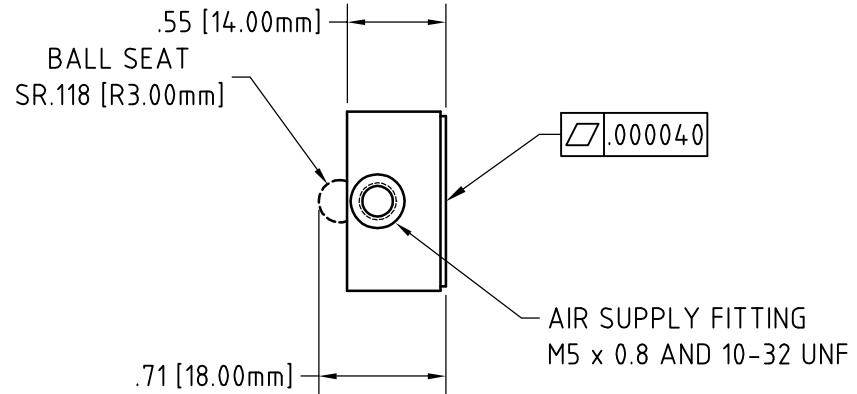
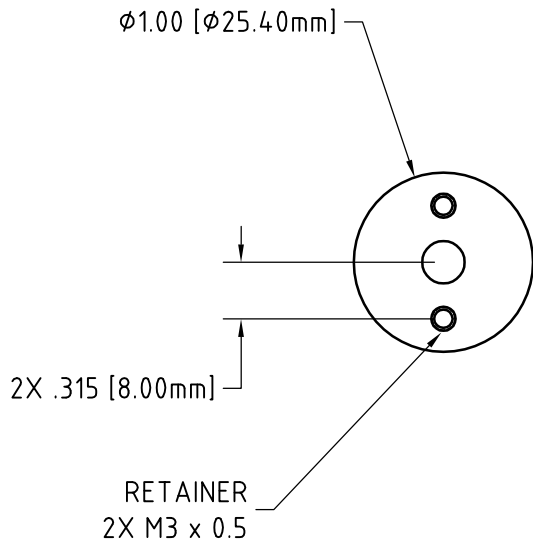


NOTES (UNLESS SPECIFIED):


1. ALL DIMENSIONS IN INCHES
2. DO NOT EXCEED RECOMMENDED LOADING SPECIFICATIONS
3. DO NOT CUT, DRILL OR MODIFY ANY PORTION OF THIS BEARING

#	DESCRIPTION	DATE	APPROVED
AC	SPECIFICATION RELEASE	2/10/2002	GWB



MATERIAL ALUMINUM / POROUS CARBON			
FINISH			
PART NUMBER			
TOLERANCES (UNLESS OTHERWISE SPECIFIED)			
DECIMALS		ANGLE	UNITS
X ±	.XX ±	.XXX ±	DEG ±
.015	.010	.005	30'
			INCHES

NAME		DATE
DRAWN	IWL	1/14/2002
CHECKED		
APPROVED		
THIS DRAWING, INCLUDING ALL SUBJECT MATTER, ENCLOSES CONFIDENTIAL INFORMATION OF SPECIALTY COMPONENTS, INC. AND IS LOANED WITH THE UNDERSTANDING THAT IT SHALL BE RETURNED. IT WILL NOT BE USED FOR ANY PURPOSE EXCEPT THAT FOR WHICH LOANED UNLESS WRITTEN PERMISSION IS GRANTED BY THE OWNER. ANY DUPLICATION OF THIS DOCUMENT IS STRICTLY PROHIBITED.		
© specialty components, inc.		



SPECIALTY COMPONENTS INC.

CAGE CODE 1TV41		14 VILLAGE LANE - WALLINGFORD, CT 06492 TEL: 203.284.9112 - FAX: 203.672.0371 WEB: WWW.SPECIALTYCOMPONENTS.COM E-MAIL TO: INFO@SPECIALTYCOMPONENTS.COM	
TITLE LRAP100 AIR BEARING POROUS CARBON LINEAR			
SIZE A	DRAWING NUMBER 610-22010		REV AC
SCALE	NUMBER OF SHEETS		1