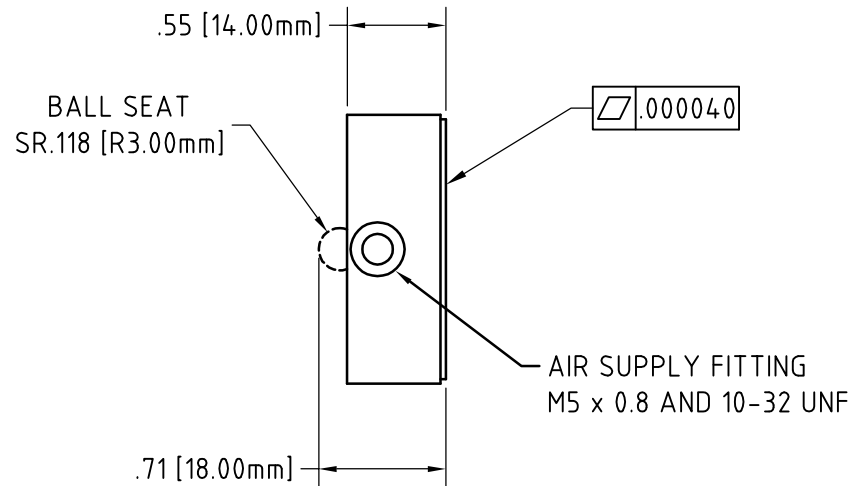
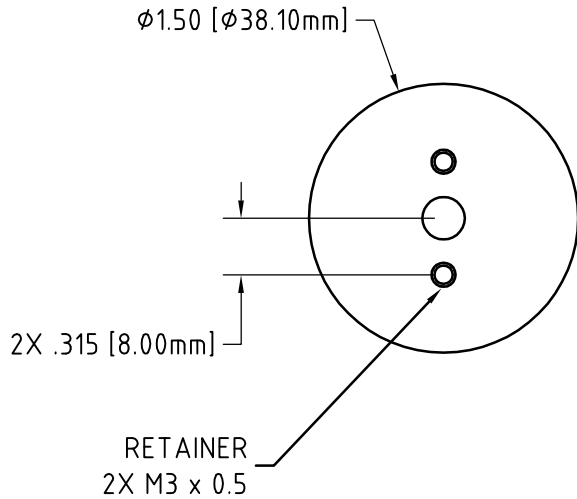



NOTES (UNLESS SPECIFIED):

1. ALL DIMENSIONS IN INCHES
2. DO NOT EXCEED RECOMMENDED LOADING SPECIFICATIONS
3. DO NOT CUT, DRILL OR MODIFY ANY PORTION OF THIS BEARING

| # | DESCRIPTION | DATE | APPROVED |
|----|-----------------------|----------|----------|
| AD | SPECIFICATION RELEASE | 8/1/2002 | GWB |



| | | | |
|--|--|-----------------------------|---|
| MATERIAL ALUMINUM / POROUS CARBON | NAME | DATE |  SPECIALTY COMPONENTS INC. 14 VILLAGE LANE - WALLINGFORD, CT 06492 TEL: 203.284.9112 - FAX: 203.672.0371 WEB: WWW.SPECIALTYCOMPONENTS.COM E-MAIL TO: INFO@SPECIALTYCOMPONENTS.COM |
| | DRAWN IWL | 7/22/2002 | |
| FINISH | CHECKED | | |
| PART NUMBER | APPROVED | | |
| TOLERANCES (UNLESS OTHERWISE SPECIFIED) | THIS DRAWING, INCLUDING ALL SUBJECT MATTER, ENCLOSES CONFIDENTIAL INFORMATION OF SPECIALTY COMPONENTS, INC. AND IS LOANED WITH THE UNDERSTANDING THAT IT SHALL BE RETURNED. IT WILL NOT BE USED FOR ANY PURPOSE EXCEPT THAT FOR WHICH LOANED UNLESS WRITTEN PERMISSION IS GRANTED BY THE OWNER. ANY DUPLICATION OF THIS DOCUMENT IS STRICTLY PROHIBITED. © specialty components, inc. | | CAGE CODE 1TV41 |
| DECIMALS X ± .XX ± .XXX ± .015 .010 .005 | ANGLE DEG ± ± 30' | UNITS INCHES | TITLE LRAP150 AIR BEARING POROUS CARBON LINEAR |
| | SIZE A | DRAWING NUMBER 610-22029 | REV AD |
| | SCALE | NUMBER OF SHEETS | 1 |