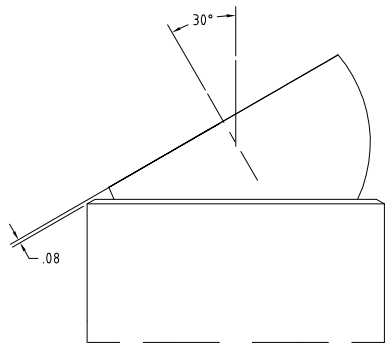
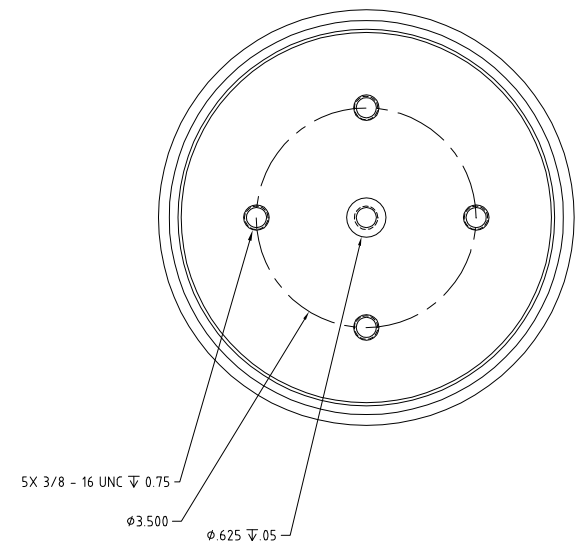
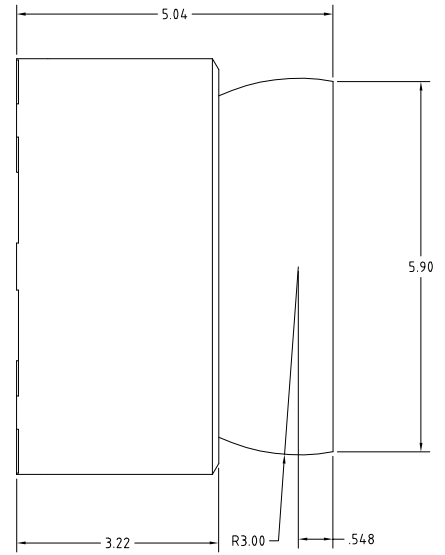
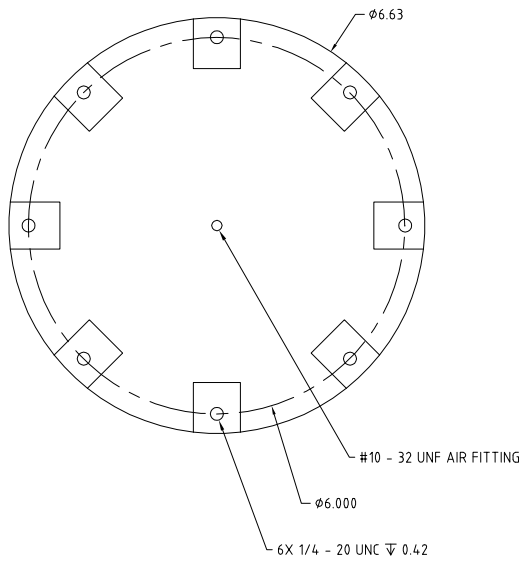


NOTES (UNLESS SPECIFIED):

1. ALL DIMENSIONS IN INCHES
2. DO NOT EXCEED RECOMMENDED LOADING SPECIFICATIONS
3. DO NOT CUT, DRILL OR MODIFY ANY PORTION OF THIS BEARING
4. REFER TO MANUAL FOR MOUNTING LOCATION REQUIREMENTS

| # | DESCRIPTION | DATE | APPROVED |
|----|--------------------|------|----------|
| AA | PRODUCTION RELEASE | | |



30 DEGREE TILT

| | | | |
|---|---|-------------------|---|
| MATERIAL ALUMINUM | NAME GWB | DATE 5/12/2006 | <p>SPECIALTY COMPONENTS, INC.</p> <p>1TV41</p> <p>WWW.LABELLINE.COM TEL: 800-828-8888 WWW.SPECIALTYCOMPONENTS.COM 8000.TOL.SPECIALTYCOMPONENTS.COM</p> |
| FINISH | CHECKED JH | 5/12/2006 | |
| PART NUMBER | <p>THIS DRAWING, INCLUDING ALL SUBJECT MATTER, ENCLOSES CONFIDENTIAL INFORMATION OF SPECIALTY COMPONENTS, INC. AND IS LOANED WITH THE UNDERSTANDING THAT IT SHALL BE RETURNED. IT WILL NOT BE USED FOR ANY PURPOSE EXCEPT THAT FOR WHICH LOANED UNLESS WRITTEN PERMISSION IS GRANTED BY THE OWNER. ANY DUPLICATION OF THIS DOCUMENT IS STRICTLY PROHIBITED.</p> <p>© specialty components, inc.</p> | | |
| TOLERANCES DECIMALS X + .004 - .004 .015 .010 .005 | UNLESS OTHERWISE SPECIFIED | ANGLE 30° | UNITS INCHES |
| SIZE C | DRAWING NUMBER 620-39127 | REV AA | <p>TITLE ASSY, SRA300</p> <p>SCALE NUMBER OF SHEETS 1</p> |