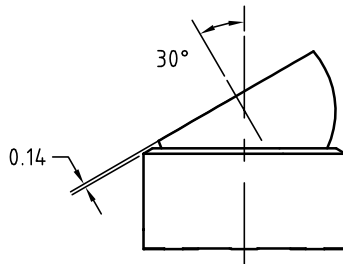
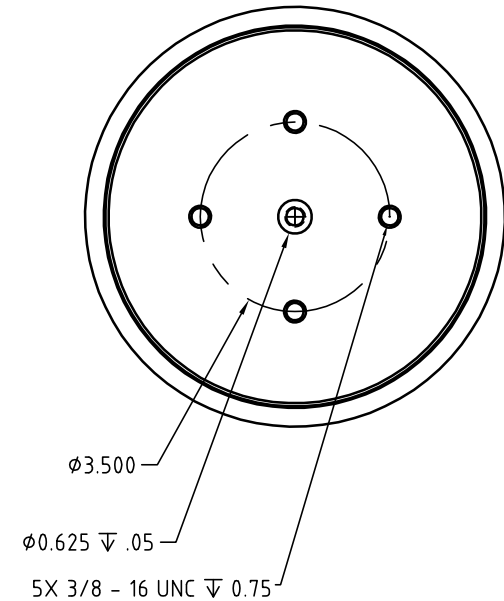
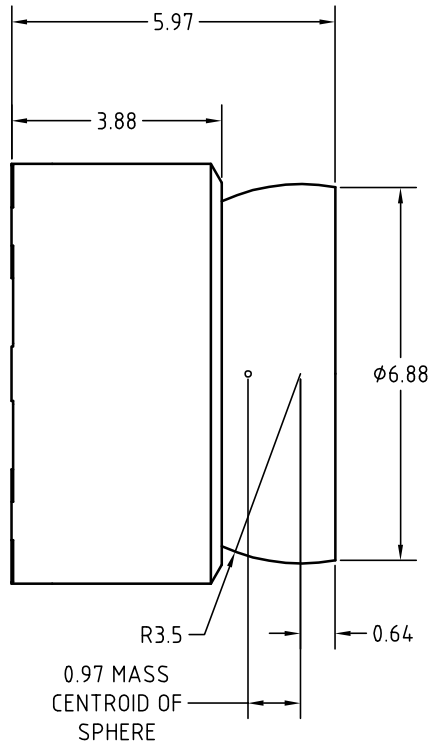
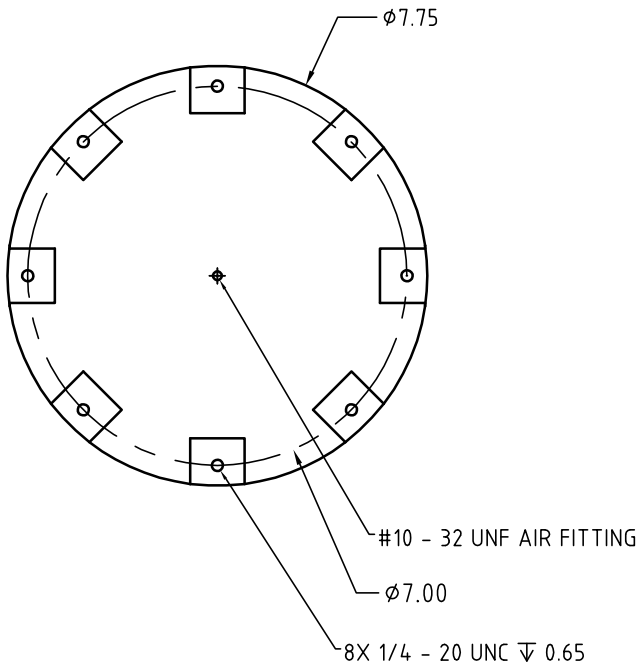


- NOTES (UNLESS SPECIFIED):
1. ALL DIMENSIONS IN INCHES
  2. DO NOT EXCEED RECOMMENDED LOADING SPECIFICATIONS
  3. DO NOT CUT, DRILL OR MODIFY ANY PORTION OF THIS BEARING
  4. REFER TO MANUAL FOR MOUNTING LOCATION REQUIREMENTS

#	DESCRIPTION	DATE	APPROVED
AB	ECO 905-33178	4/16/2004	KJL



30 DEGREE TILT

MATERIAL	NAME	DATE	 SPECIALTY COMPONENTS INC.
	DRAWN KJL	5/16/2002	
	CHECKED GMB	6/1/2002	
FINISH	APPROVED		CAGE CODE <b>1TV41</b>
PART NUMBER	THIS DRAWING, INCLUDING ALL SUBJECT MATTER, ENCLOSES CONFIDENTIAL INFORMATION OF SPECIALTY COMPONENTS, INC. AND IS LOANED WITH THE UNDERSTANDING THAT IT SHALL BE RETURNED. IT WILL NOT BE USED FOR ANY PURPOSE EXCEPT THAT FOR WHICH LOANED UNLESS WRITTEN PERMISSION IS GRANTED BY THE OWNER. ANY DUPLICATION OF THIS DOCUMENT IS STRICTLY PROHIBITED.		TITLE <b>ASSY, SRA350</b>
TOLERANCES	DECIMALS	ANGLE	UNITS
	.12 +0 .05	.XX +0 .005	30° INCHES
			SIZE C DRAWING NUMBER 620-39131 REV AB