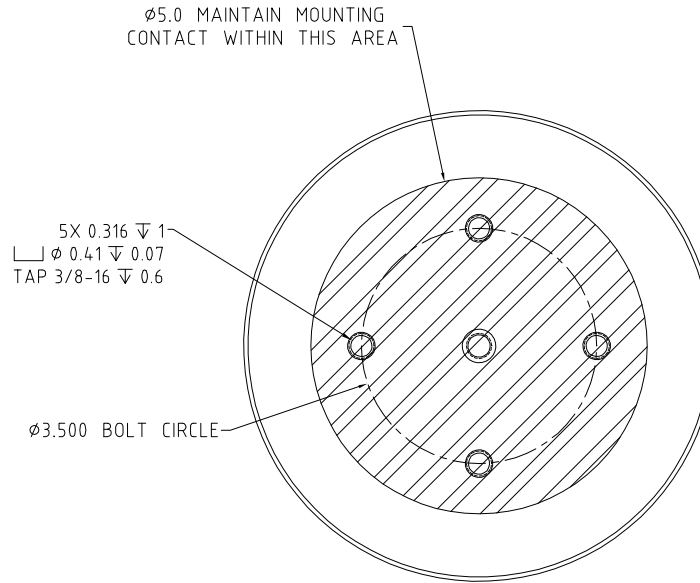
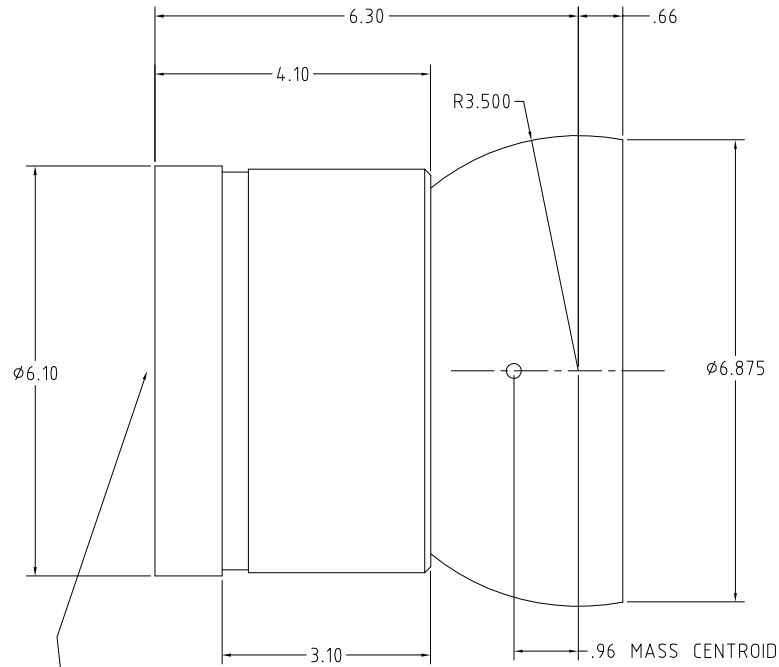


NOTES (UNLESS SPECIFIED):

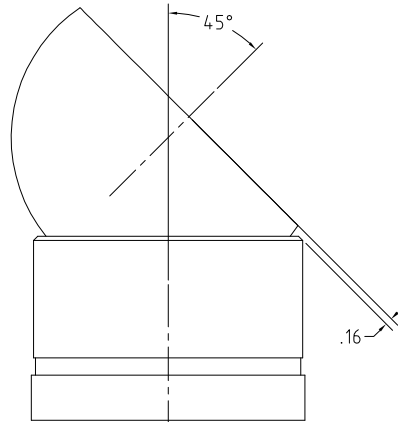
1. ALL DIMENSIONS IN INCHES
2. DO NOT EXCEED RECOMMENDED LOADING SPECIFICATIONS
3. DO NOT CUT, DRILL OR MODIFY ANY PORTION OF THIS BEARING
4. REFER TO MANUAL FOR MOUNTING LOCATION REQUIREMENTS

#	DESCRIPTION	DATE	APPROVED
A	INITIAL RELEASE	2/15/01	MH
	SPECIFICATION CONTROL DRAWING		
B	ESC-22134	04/10/2003	MH
	REVISED SPECIFICATION		



PROPERTIES OF SPHERE  
 RADIUS OF GYRATION ABOUT CENTROIDAL AXES  
 X-X 2.13 INCH  
 Y-Y 2.13 INCH  
 Z-Z 2.27 INCH  
 MOMENTS OF INERTIA ABOUT CENTROIDAL AXES  
 LX 50.8 lbm-in<sup>2</sup>  
 LY 50.8 lbm-in<sup>2</sup>  
 LZ 57.8 lbm-in<sup>2</sup>  
 SPHERE MASS  
 10.51 lbm  
 BASE MASS  
 9.3 lbm

10-32 UNF AIR INLET THROUGH BOTTOM



45 DEGREE POSITION

MATERIAL	ALUMINUM	NAME	DATE	
FINISH	HARDCOAT	DRAWN	GWB 2/4/00	
PART NUMBER		CHECKED	ILM 3/27/00	
TOLERANCES UNLESS OTHERWISE SPECIFIED		APPROVED		CAGE CODE
DECIMALS	XX ±.005	ANGLE	UNITS	1TV41
X ±.015	.XX ±.010	30°	INCHES	TITLE
THIS DRAWING, INCLUDING ALL SUBJECT MATTER, ENCLOSES CONFIDENTIAL INFORMATION OF SPECIALTY COMPONENTS, INC. AND IS LOANED WITH THE UNDERSTANDING THAT IT SHALL BE RETURNED. IT WILL NOT BE USED FOR ANY PURPOSE EXCEPT THAT FOR WHICH LOANED UNLESS WRITTEN PERMISSION IS GRANTED BY THE OWNER. ANY DUPLICATION OF THIS DOCUMENT IS STRICTLY PROHIBITED.				REV
© specialty components, inc.				B
				SCALE
				NUMBER OF SHEETS

TITLE	SRA350-R45		
SPHERICAL AIR BEARING ASSEMBLY			
SIZE	DRAWING NUMBER	REV	
C	620-39133	B	
SCALE	NUMBER OF SHEETS		
	1		