



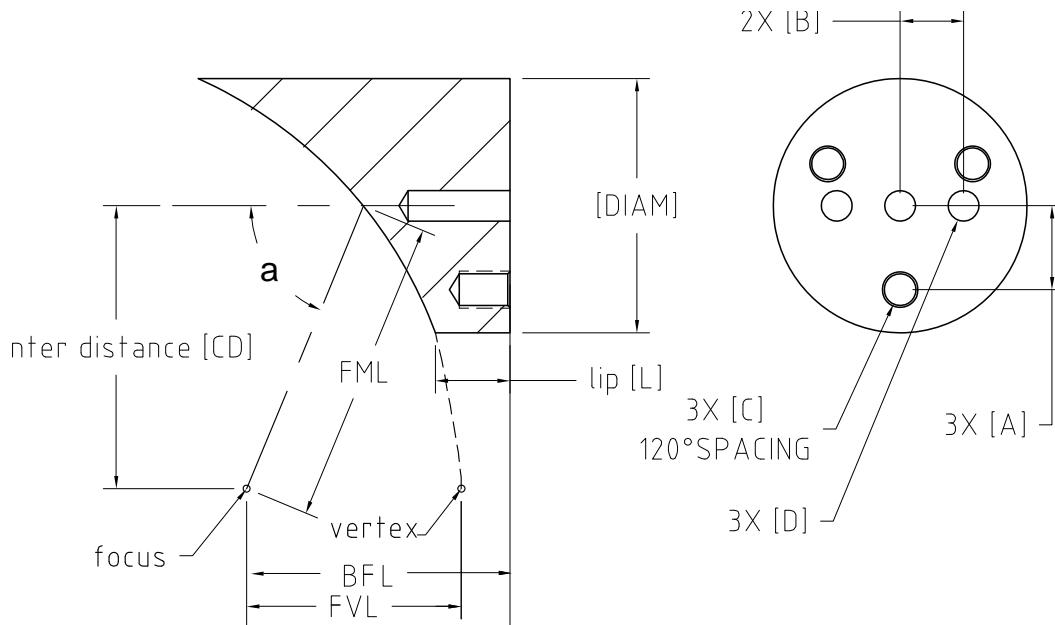
DIAMOND POINT TURNED OFF-AXIS PARABOLOIDS

Product Summary

Diamond turned first-surface Aluminum mirrors provide a highly efficient parabolic focus of light in the infrared range. Guaranteed at 1/2, 1/4 or 1/8 waveform accuracy with <16nm Ra surface finish. Select from protected Aluminum, protected Gold or untreated coatings combined with your choice of size and reflecting angle. Convenient mounting features allow for precise centering and direction of the referenced beam. Thermal stress relieving and a mounting surface flatness of 1/2 wave allows for distortion free assembly.

Model	[DIAM]	[a]°	[FVL]	[FML]	[CD]	[BFL]	[L]	[A]	[B]	[C]	[D]
OAP090-30-180y	0.900	30	1.800	1.929	0.965	2.063	0.3	0.312	0.312	6-32 UNC	0.094
OAP180-30-360y	1.800	30	3.600	3.858	1.929	3.826	0.3	0.625	0.625	6-32 UNC	0.126
OAP090-60-090y	0.900	60	0.900	1.200	1.039	1.104	0.3	0.312	0.312	6-32 UNC	0.094
OAP180-60-180y	1.800	60	1.800	2.400	2.078	1.907	0.3	0.625	0.625	6-32 UNC	0.126
OAP090-90-045y	0.900	90	0.450	0.900	0.900	0.638	0.3	0.312	0.312	6-32 UNC	0.094
OAP090-90-090y	0.900	90	0.900	1.800	1.800	0.694	0.3	0.312	0.312	6-32 UNC	0.094
OAP180-90-090y	1.800	90	0.900	1.800	1.800	0.975	0.3	0.625	0.625	6-32 UNC	0.126
OAP180-90-180y	1.800	90	1.800	3.600	3.600	1.088	0.3	0.625	0.625	6-32 UNC	0.094

specify: **y** : A (SiO) or G (SiO over Gold) or N (no coating)
 Dimensions in inches
 Contact us for custom shapes and size requirements



NOTE: Drawing not to scale

Custom sizes and configurations are available on request. Specifications are subject to change.