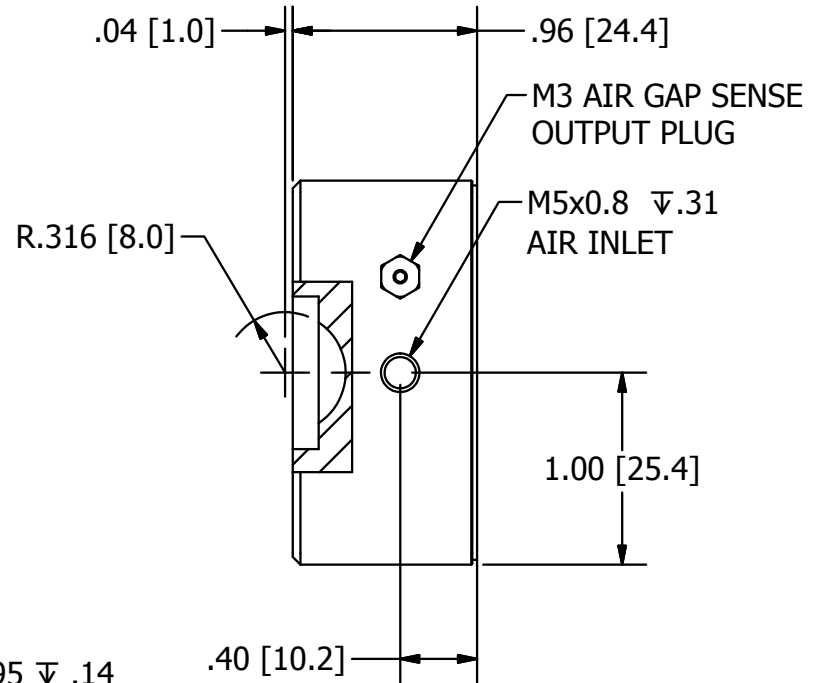
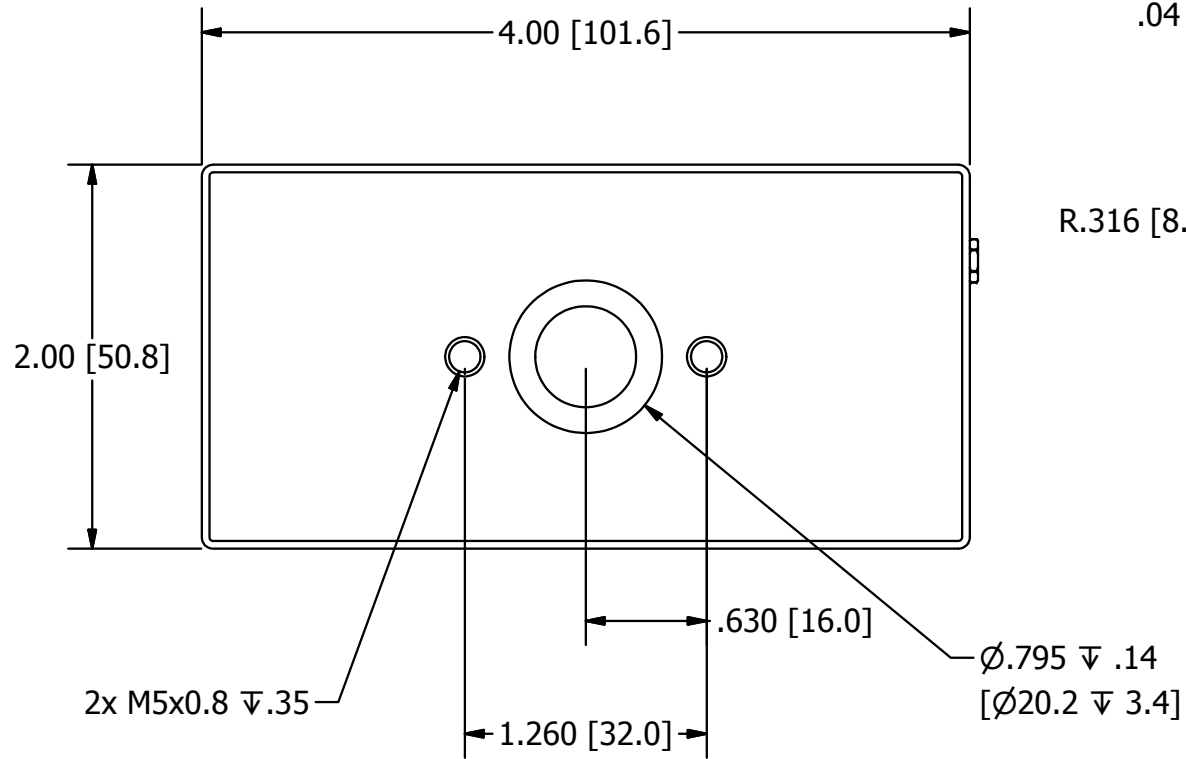


NOTES: (UNLESS OTHERWISE SPECIFIED)

1. DIMENSIONS IN INCHES, [mm]
2. DO NOT CUT, DRILL OR MODIFY
3. DO NOT EXCEED RECOMMENDED LOAD SPECIFICATIONS



3/8/2012

14 VILLAGE LANE - WALLINGFORD, CT 06492  
 TEL 203.284.9112 - FAX 203.672.0371  
 WEB: WWW.SPECIALTYCOMPONENTS.COM  
 MAIL: INFO@SPECIALTYCOMPONENTS.COM

TITLE  
 LSAP200400 AIR BEARING  
 SENSE

DRAWING NUMBER  
**610-22087**

© 2011 - SPECIALTY COMPONENTS