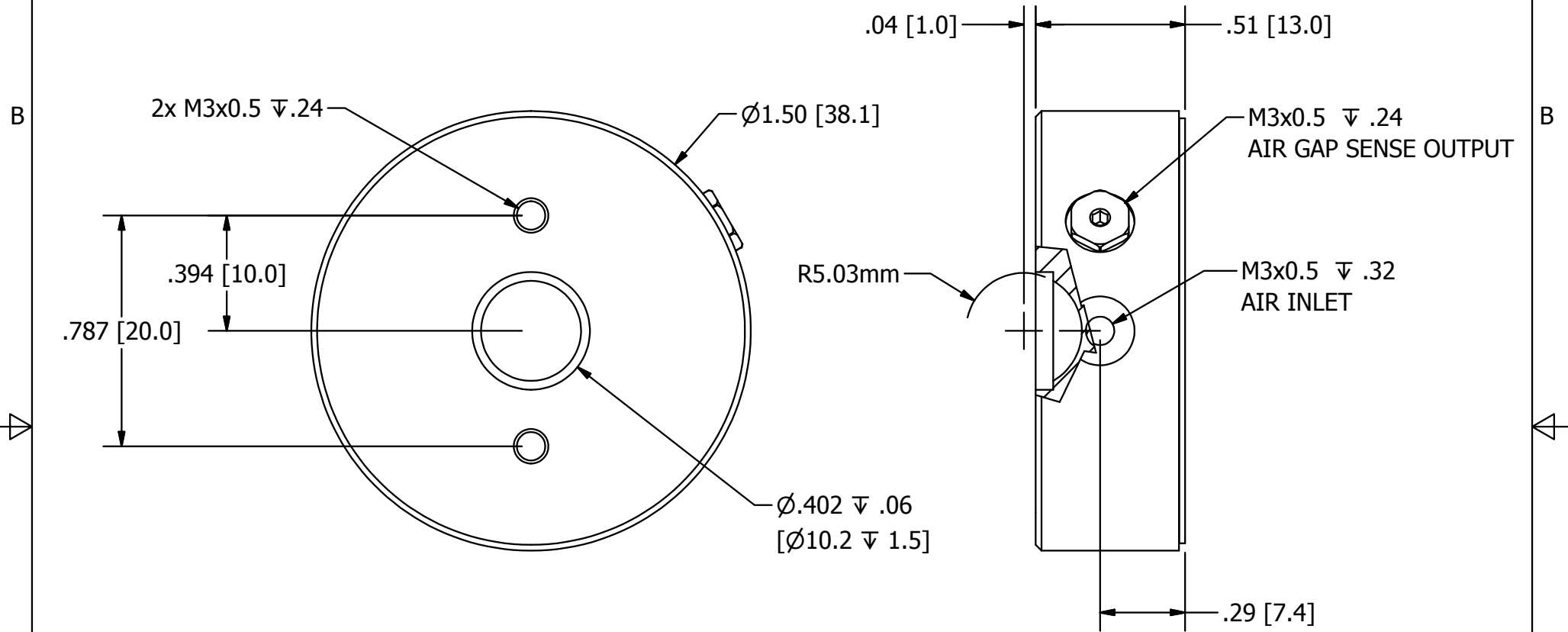


NOTES: (UNLESS OTHERWISE SPECIFIED)

1. DIMENSIONS IN INCHES, [mm]
2. DO NOT CUT, DRILL OR MODIFY
3. DO NOT EXCEED RECOMMENDED LOAD SPECIFICATIONS



3/2/2014

14 VILLAGE LANE - WALLINGFORD, CT 06492
TEL: 203.284.9112 - FAX: 203.672.0371
WEB: WWW.SPECIALTYCOMPONENTS.COM
MAIL: INFO@SPECIALTYCOMPONENTS.COM

TITLE
LRAP150 AIR BEARING SENSE

DRAWING NUMBER
610-22452

© 2011 - SPECIALTY COMPONENTS