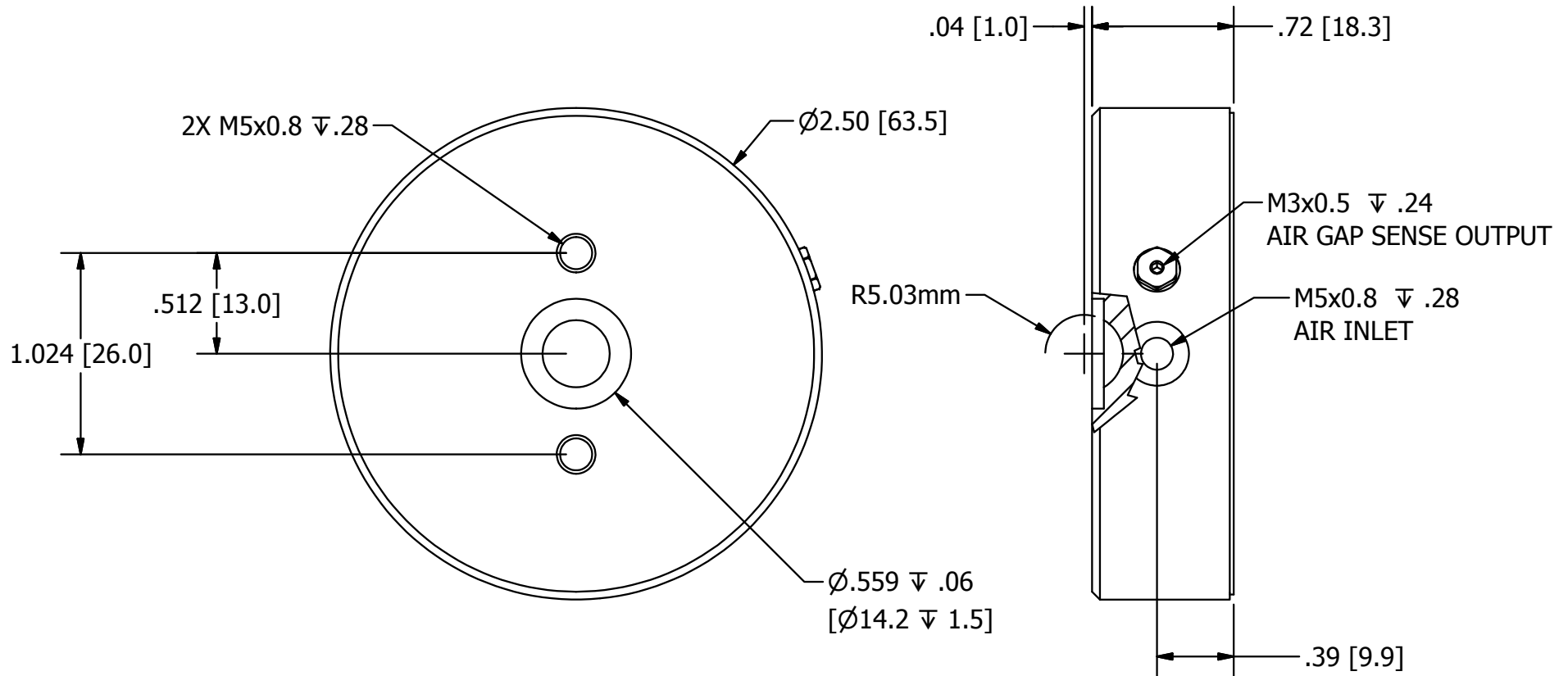


NOTES: (UNLESS OTHERWISE SPECIFIED)

1. DIMENSIONS IN INCHES, [mm]
2. DO NOT CUT, DRILL OR MODIFY
3. DO NOT EXCEED RECOMMENDED LOAD SPECIFICATIONS



3/2/2014

14 VILLAGE LANE - WALLINGFORD, CT 06492  
 TEL 203.284.9112 - FAX 203.672.0371  
 WEB: WWW.SPECIALTYCOMPONENTS.COM  
 MAIL: INFODIRECT@SPECIALTYCOMPONENTS.COM

TITLE  
 LRAP250 AIR BEARING SENSE

DRAWING NUMBER  
**610-22454**

© 2011 - SPECIALTY COMPONENTS