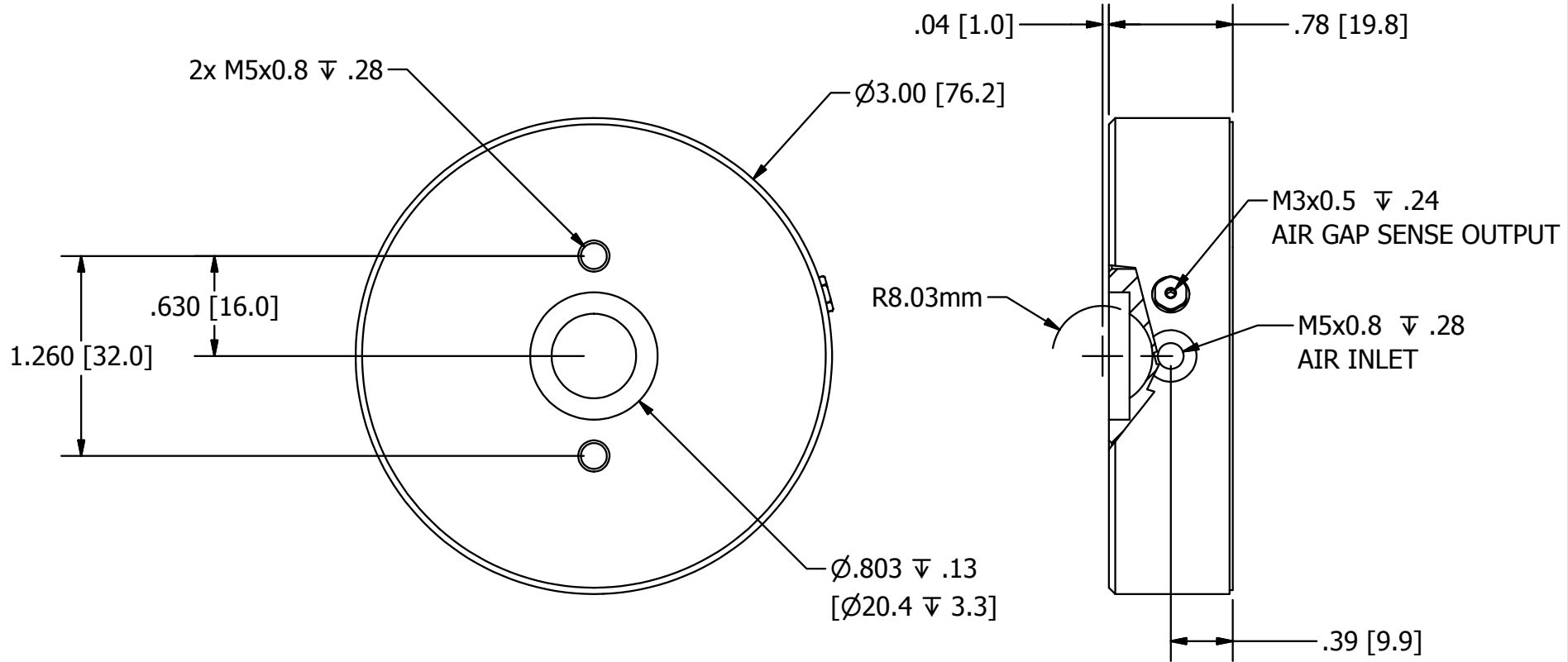



NOTES: (UNLESS OTHERWISE SPECIFIED)

1. DIMENSIONS IN INCHES, [mm]
2. DO NOT CUT, DRILL OR MODIFY
3. DO NOT EXCEED RECOMMENDED LOAD SPECIFICATIONS



 SPECIALTY COMPONENTS	
3/2/2014	<small>14 VILLAGE LANE - WALLINGFORD, CT 06492 TEL 203.284.9112 - FAX 203.672.0371 WEB: WWW.SPECIALTYCOMPONENTS.COM MAIL: INFODIRECT@SPECIALTYCOMPONENTS.COM</small>
TITLE LRAP300 AIR BEARING SENSE	
DRAWING NUMBER 610-22455	
<small>© 2011 - SPECIALTY COMPONENTS</small>	