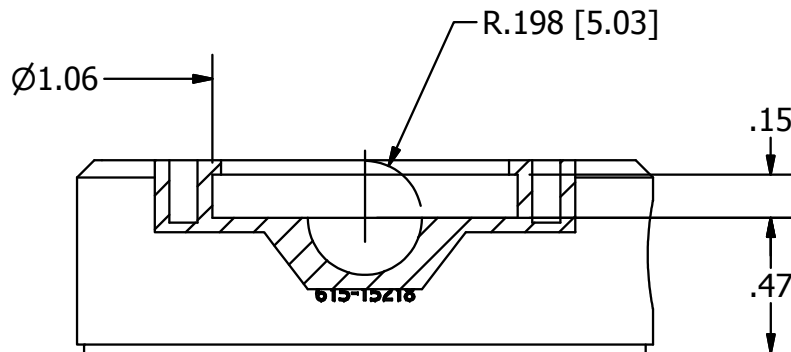
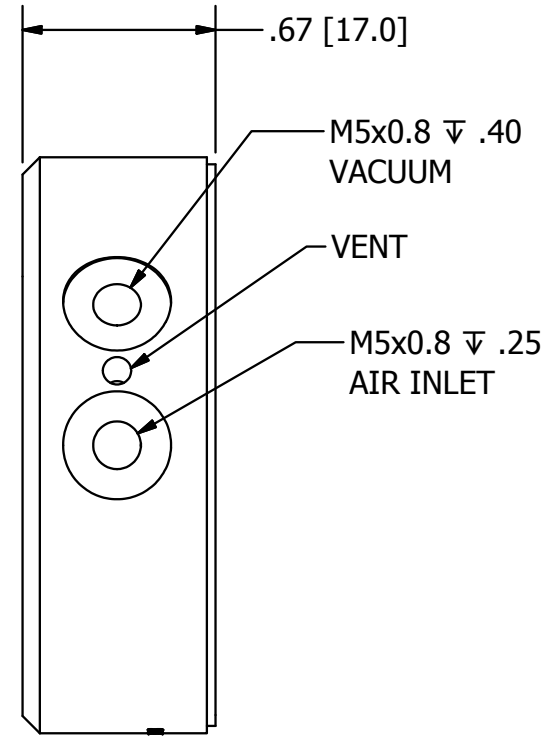
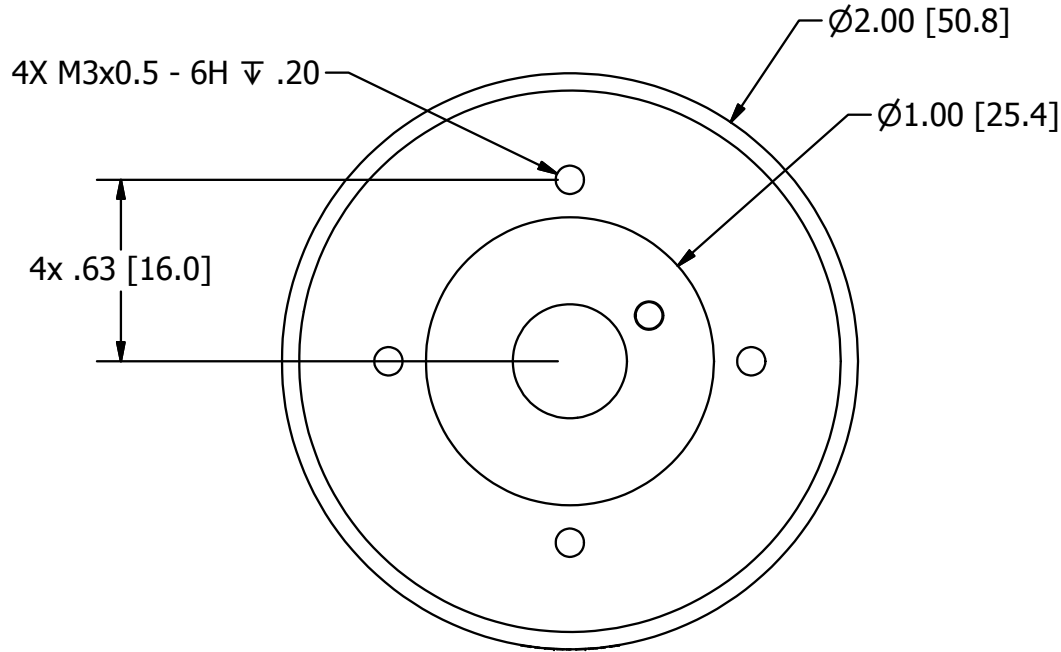


NOTES: (UNLESS OTHERWISE SPECIFIED)

1. DIMENSIONS IN INCHES, [mm]
2. DO NOT CUT, DRILL OR MODIFY
3. DO NOT EXCEED RECOMMENDED LOAD SPECIFICATIONS



SPECIALTY COMPONENTS

1/5/2014

14 VILLAGE LANE - WALLINGFORD, CT 06492
 TEL: 203.284.9112 - FAX: 203.672.0371
 WEB: WWW.SPECIALTYCOMPONENTS.COM
 MAIL: INFODIRECT@SPECIALTYCOMPONENTS.COM

TITLE
LRAVP200 VPL AIR BEARING

DRAWING NUMBER
615-15218

© 2011 - SPECIALTY COMPONENTS