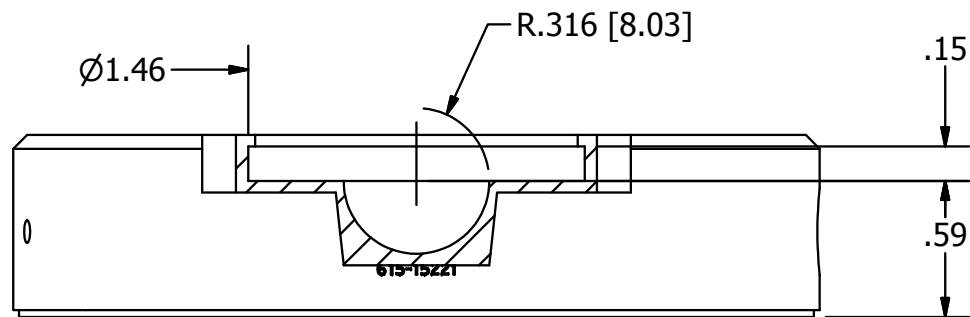
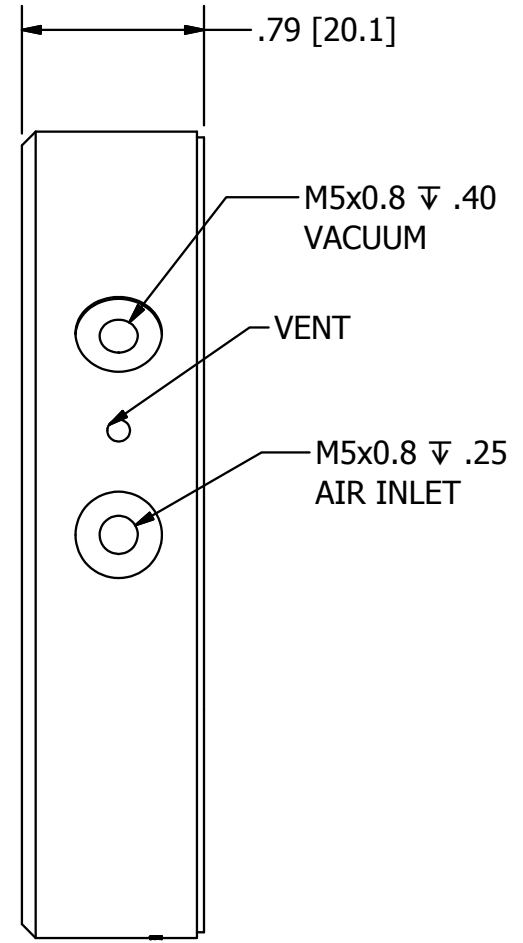
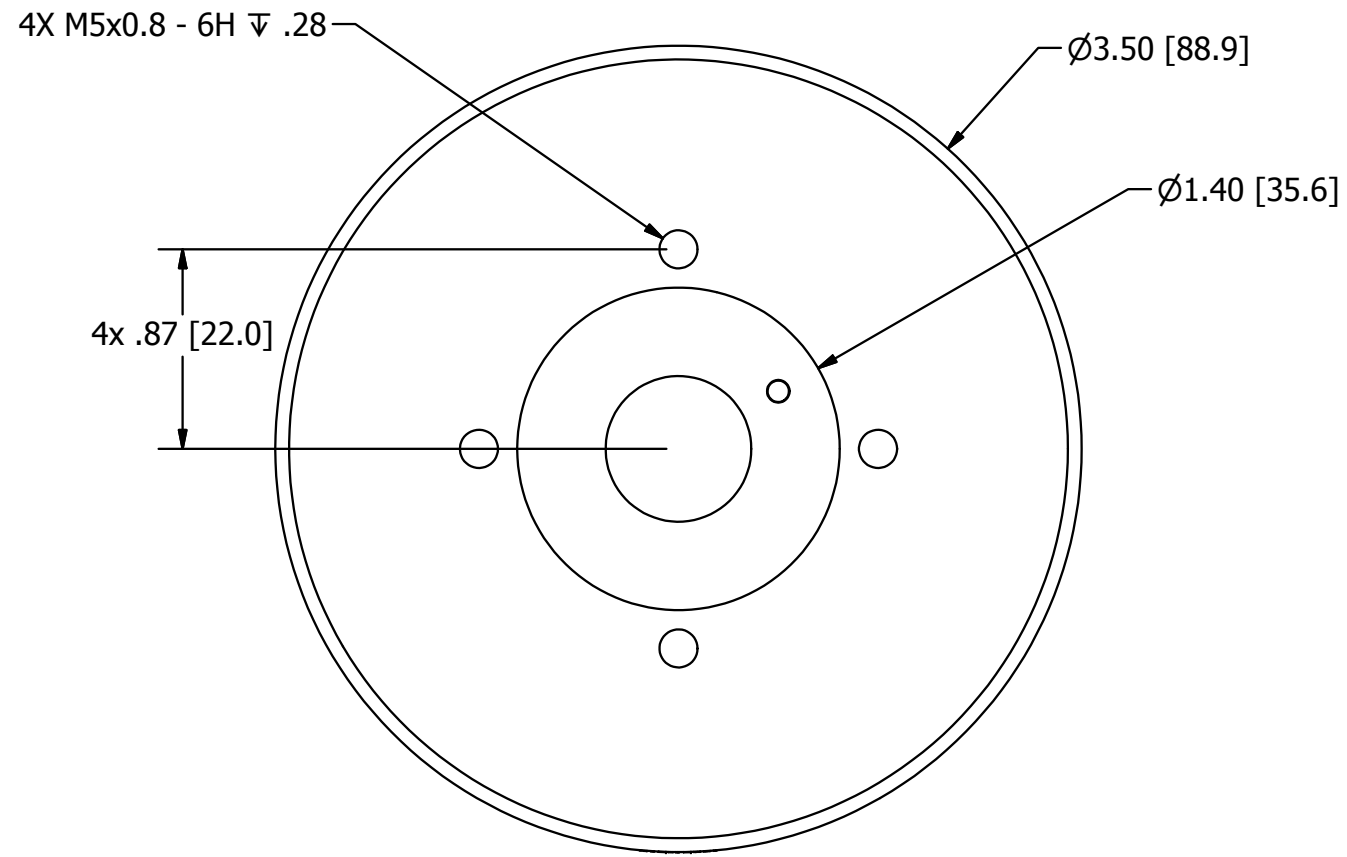


NOTES: (UNLESS OTHERWISE SPECIFIED)

1. DIMENSIONS IN INCHES, [mm]
2. DO NOT CUT, DRILL OR MODIFY
3. DO NOT EXCEED RECOMMENDED LOAD SPECIFICATIONS



14 VILLAGE LANE - WALLINGFORD, CT 06492  
 TEL: 203.284.9112 - FAX: 203.672.0371  
 WEB: WWW.SPECIALTYCOMPONENTS.COM  
 MAIL: INFODIRECT@SPECIALTYCOMPONENTS.COM

1/5/2014

TITLE  
 LRAVP350 VPL AIR BEARING

DRAWING NUMBER  
**615-15221**

© 2011 - SPECIALTY COMPONENTS