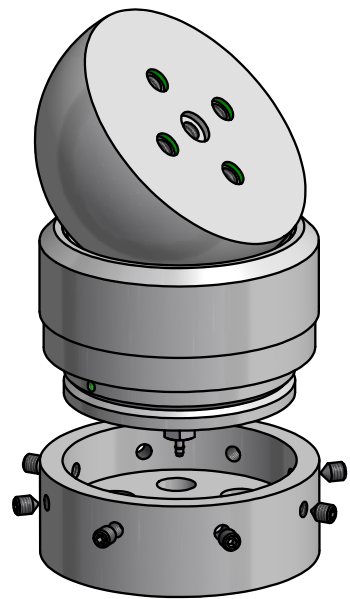
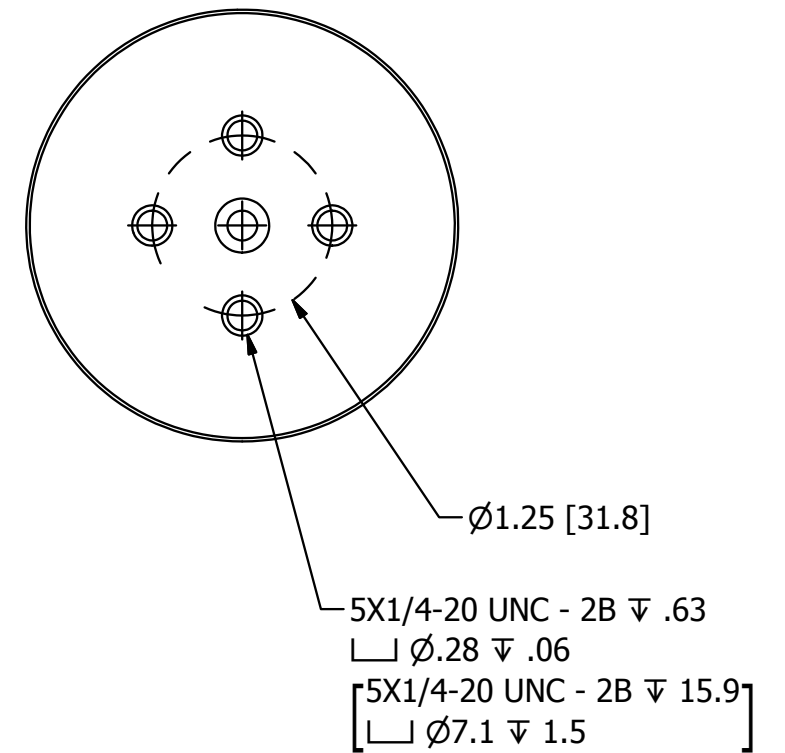
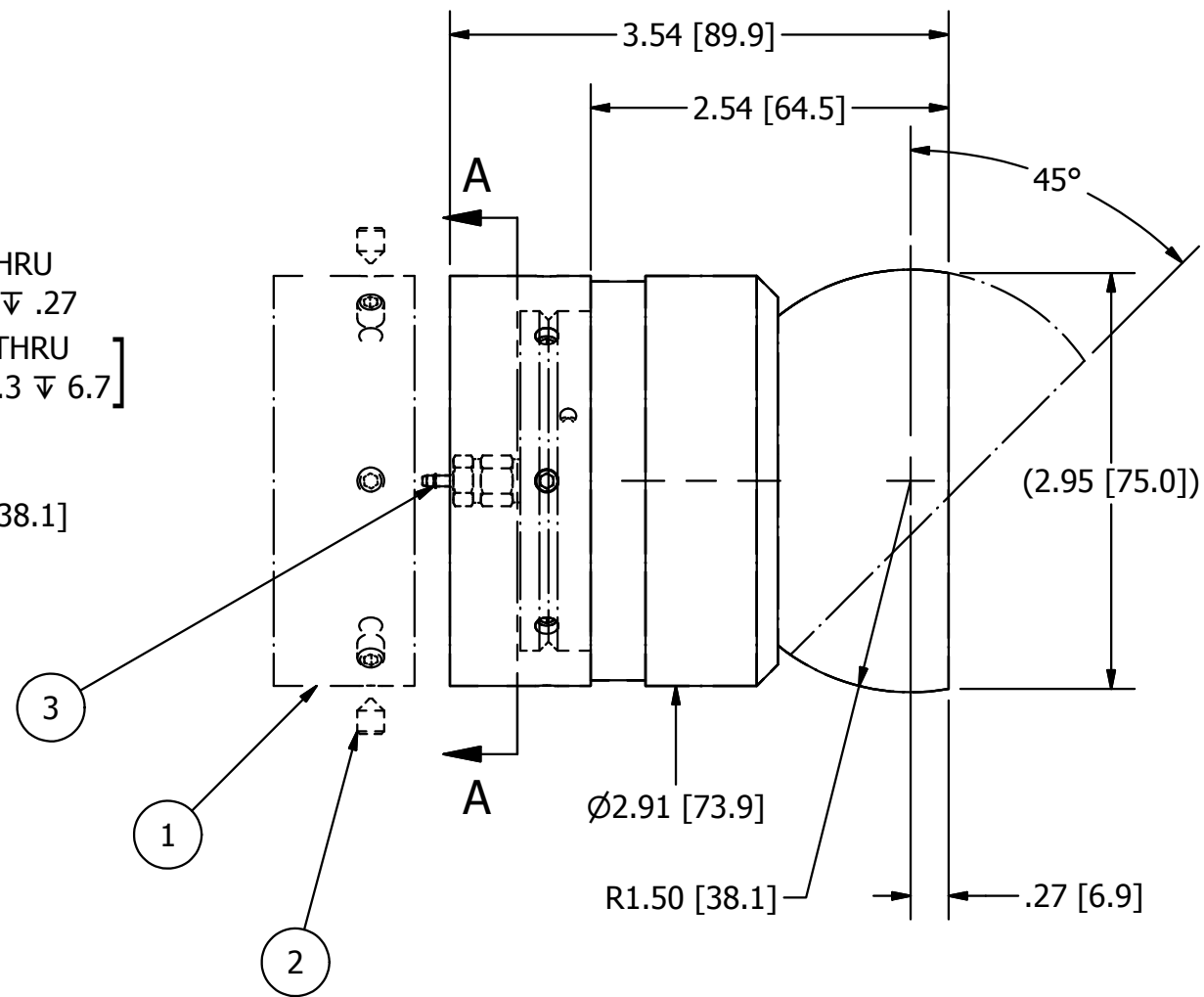


SECTION A-A  
PEDESTAL ADAPTER



PARTS LIST			
ITEM	QTY	PART NUMBER	DESCRIPTION
1	1	100-21103	SRA150-R45 PEDESTAL ADAPTER
2	8	201-10057	10-32 UNF x 0.25 Hexagon Socket Set Screw - Cone Point
3	1	300-10410	M5SB16 M5 STRAIGHT BARBED FITTING FOR 1.6MM I.D. TUBING



5/12/2014  
 14 VILLAGE LANE - WALLINGFORD, CT 06492  
 TEL: 203.284.9112 - FAX: 203.672.0371  
 WEB: WWW.SPECIALTYCOMPONENTS.COM  
 MAIL: INFODIRECT@SPECIALTYCOMPONENTS.COM

TITLE  
 ASSY, SRA150-R45 SPHERICAL  
 AIR BEARING

DRAWING NUMBER  
**620-39136**

© 2011 - SPECIALTY COMPONENTS