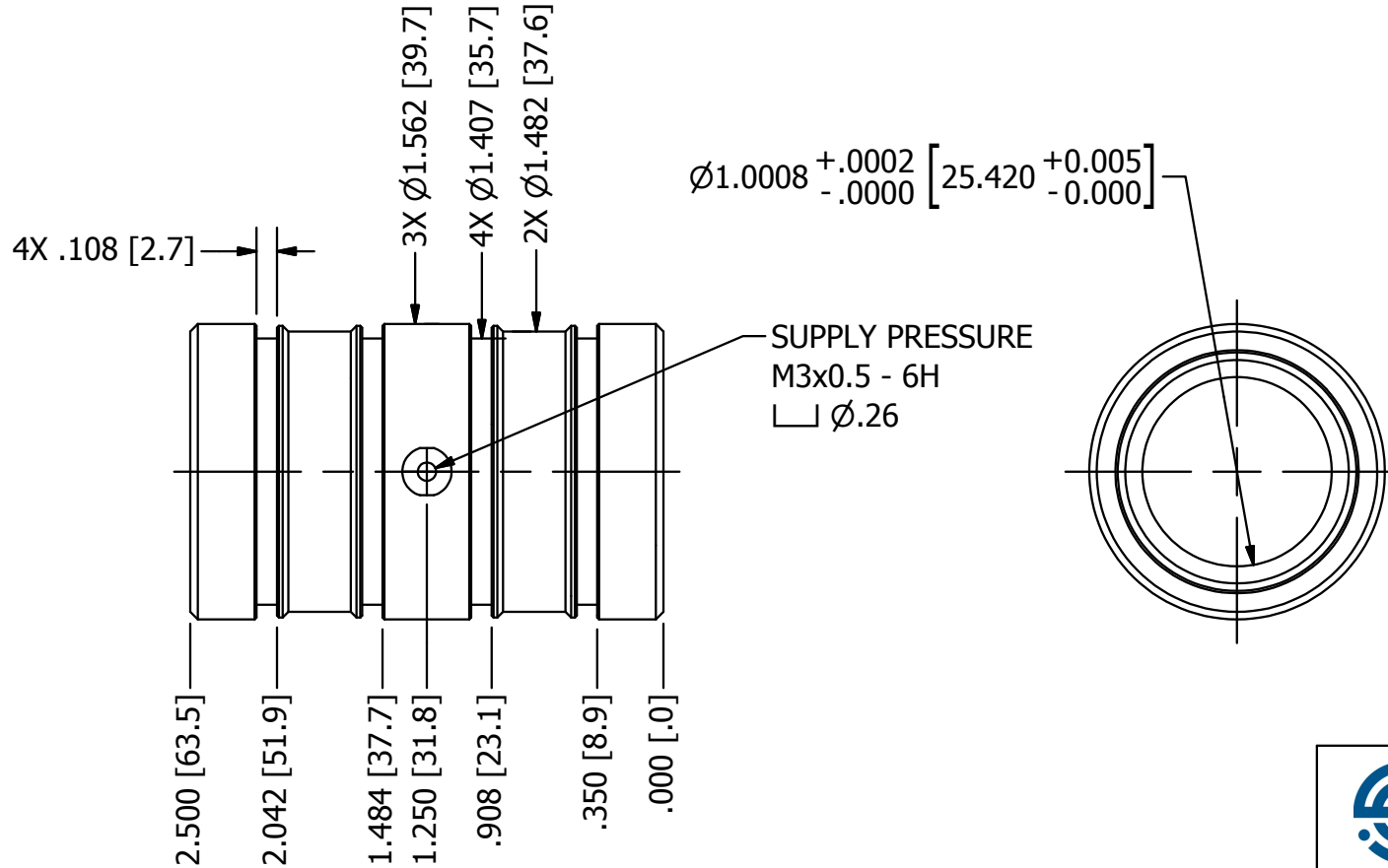


NOTES (UNLESS SPECIFIED):

1. ALL DIMENSIONS IN INCHES, [mm]
2. DO NOT EXCEED RECOMMENDED LOADING
3. DO NOT CUT, DRILL OR MODIFY
4. DISTRIBUTED LOADING IS REQUIRED FOR PROPER PERFORMANCE
5. RECOMMENDED O-RING SIZE: AS568-126



1/18/2006

14 VILLAGE LANE - WALLINGFORD, CT 06492
 TEL 203.284.9112 - FAX 203.672.0371
 WEB: WWW.SPECIALTYCOMPONENTS.COM
 MAIL: INFODIRECT@SPECIALTYCOMPONENTS.COM

TITLE
 LCAP100 AIR BUSHING

DRAWING NUMBER
 630-43631

© 2011 - SPECIALTY COMPONENTS

TABLE			
	CLASS	UPPER TOL.	LOWER TOL.
RECOMMENDED	N	1.0000	0.9998
MINIMUM	L	0.9995	0.9990