

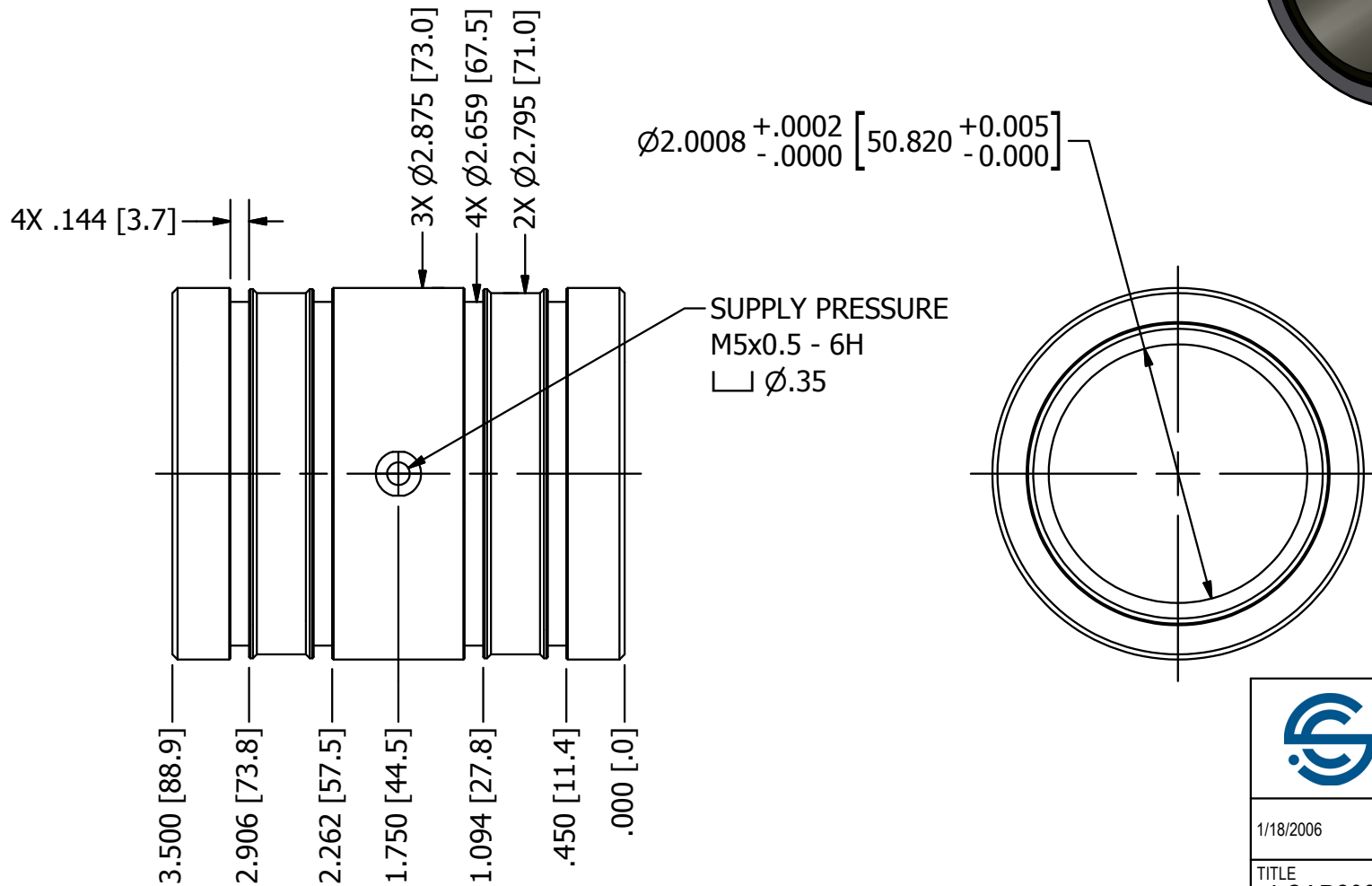
NOTES (UNLESS SPECIFIED):

1. ALL DIMENSIONS IN INCHES, [mm]
2. DO NOT EXCEED RECOMMENDED LOADING
3. DO NOT CUT, DRILL OR MODIFY
4. DISTRIBUTED LOADING IS REQUIRED FOR PROPER PERFORMANCE
5. RECOMMENDED O-RING SIZE: AS568-231



B

B



A

A



SPECIALTY COMPONENTS

1/18/2006

14 VILLAGE LANE - WALLINGFORD, CT 06492
TEL 203.284.9112 - FAX 203.672.0371
WEB: WWW.SPECIALTYCOMPONENTS.COM
MAIL: INFODIRECT@SPECIALTYCOMPONENTS.COM

TITLE
LCAP200 AIR BUSHING

DRAWING NUMBER
630-43633

© 2011 - SPECIALTY COMPONENTS

TABLE			
	CLASS	UPPER TOL.	LOWER TOL.
RECOMMENDED	N	2.0000	1.9997
MINIMUM	L	1.9994	1.9987

2



1

2



1