

NOTES (UNLESS SPECIFIED):

1. ALL DIMENSIONS IN INCHES, [mm]
2. DO NOT EXCEED RECOMMENDED LOADING
3. DO NOT CUT, DRILL OR MODIFY
4. DISTRIBUTED LOADING IS REQUIRED FOR PROPER PERFORMANCE
5. RECOMMENDED O-RING SIZE: AS568-235



B

B

A

A

A

A

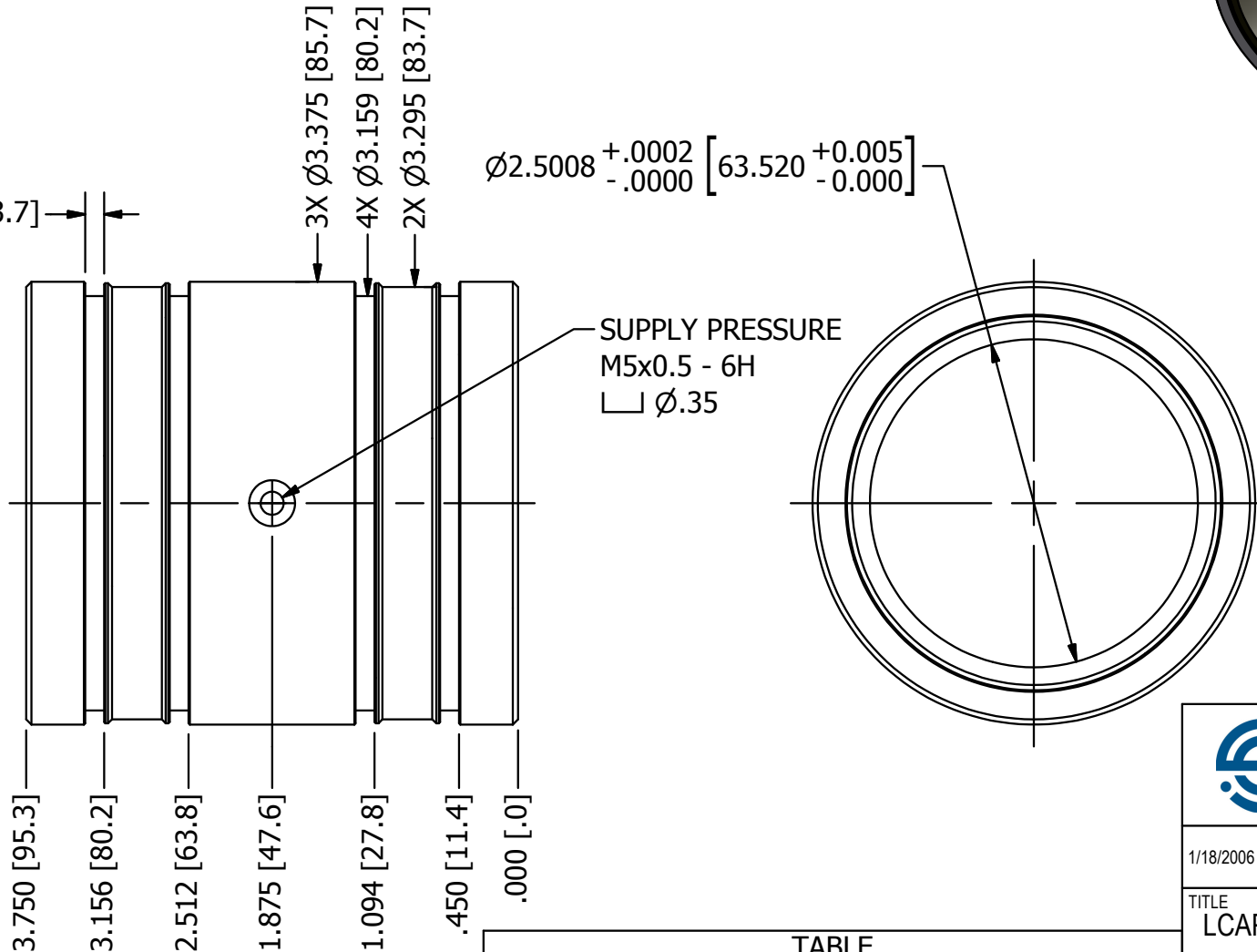


TABLE			
	CLASS	UPPER TOL.	LOWER TOL.
RECOMMENDED	N	2.5000	2.4996
MINIMUM	L	2.4993	2.4985



14 VILLAGE LANE - WALLINGFORD, CT 06492  
 TEL 203.284.9112 - FAX 203.672.0371  
 WEB: WWW.SPECIALTYCOMPONENTS.COM  
 MAIL: INFODIRECT@SPECIALTYCOMPONENTS.COM

1/18/2006

TITLE  
**LCAP250 AIR BUSHING**

DRAWING NUMBER  
**630-43634**

© 2011 - SPECIALTY COMPONENTS

2

1

1