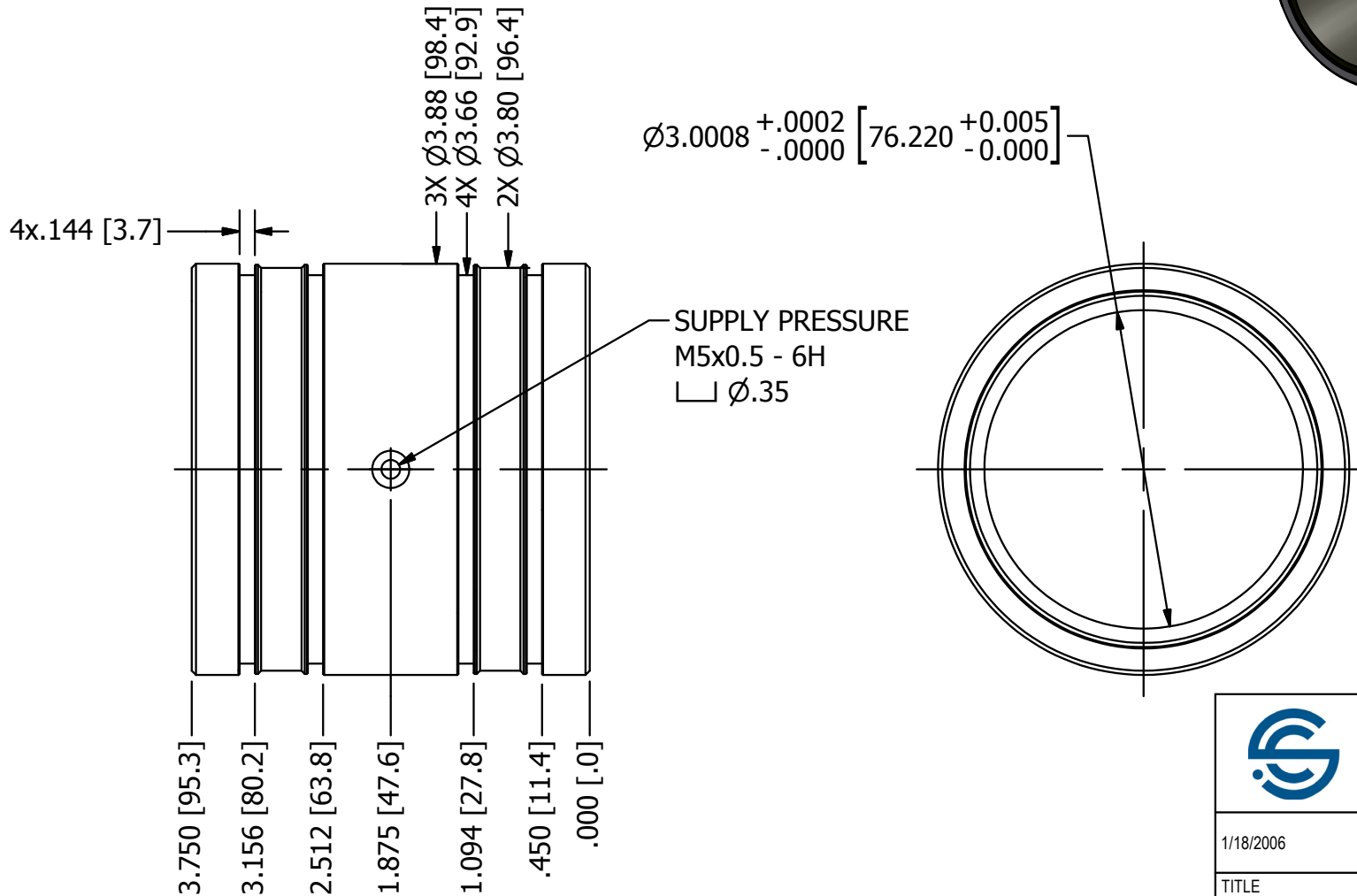


NOTES (UNLESS SPECIFIED):

1. ALL DIMENSIONS IN INCHES, [mm]
2. DO NOT EXCEED RECOMMENDED LOADING
3. DO NOT CUT, DRILL OR MODIFY
4. DISTRIBUTED LOADING IS REQUIRED FOR PROPER PERFORMANCE
5. RECOMMENDED O-RING SIZE: AS568-239



3.750 [95.3]  
 3.156 [80.2]  
 2.512 [63.8]  
 1.875 [47.6]  
 1.094 [27.8]  
 .450 [11.4]  
 .000 [.0]

SHAFT SPECIFICATION			
	CLASS	UPPER TOL.	LOWER TOL.
RECOMMENDED	N	3.0000	2.9996
MINIMUM	L	2.9992	2.9983



1/18/2006

14 VILLAGE LANE - WALLINGFORD, CT 06492  
 TEL 203.284.9112 - FAX 203.672.0371  
 WEB: WWW.SPECIALTYCOMPONENTS.COM  
 MAIL: INFODIRECT@SPECIALTYCOMPONENTS.COM

TITLE  
 LCAP300 AIR BUSHING

DRAWING NUMBER  
 630-43635

© 2011 - SPECIALTY COMPONENTS