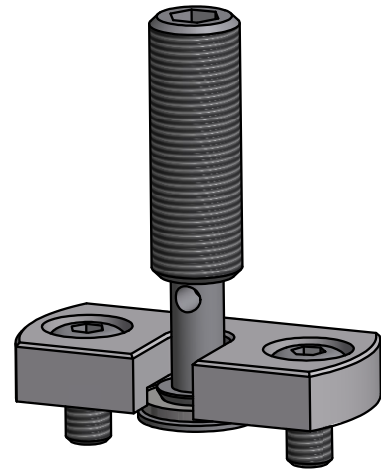
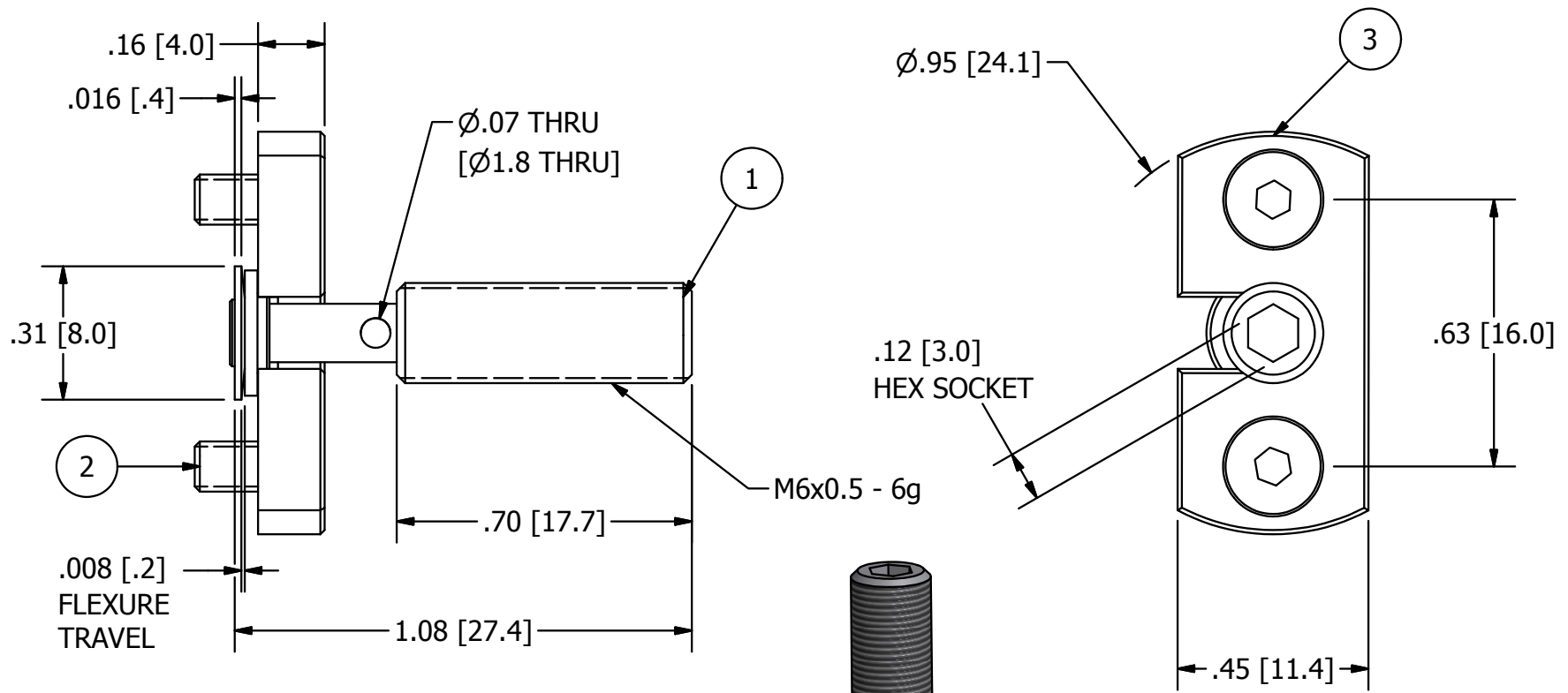


NOTE: KIT IS PACKAGED UNASSEMBLED



1/2/2015
 14 VILLAGE LANE - WALLINGFORD, CT 06492
 TEL 203.284.9112 - FAX 203.672.0371
 WEB: WWW.SPECIALTYCOMPONENTS.COM
 MAIL: INFODIRECT@SPECIALTYCOMPONENTS.COM

TITLE
FLEXKIT-059

DRAWING NUMBER
670-21411

© 2011 - SPECIALTY COMPONENTS

PARTS LIST			
ITEM	QTY	PART NUMBER	DESCRIPTION
1	1	100-21456	M6 R3 BALL STEM
2	2	200-20200	M3X0.5 x 6mm BHCS
3	1	100-21460	RETAINER