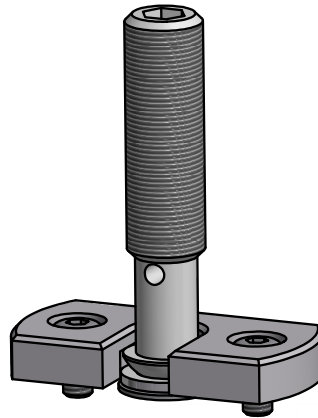
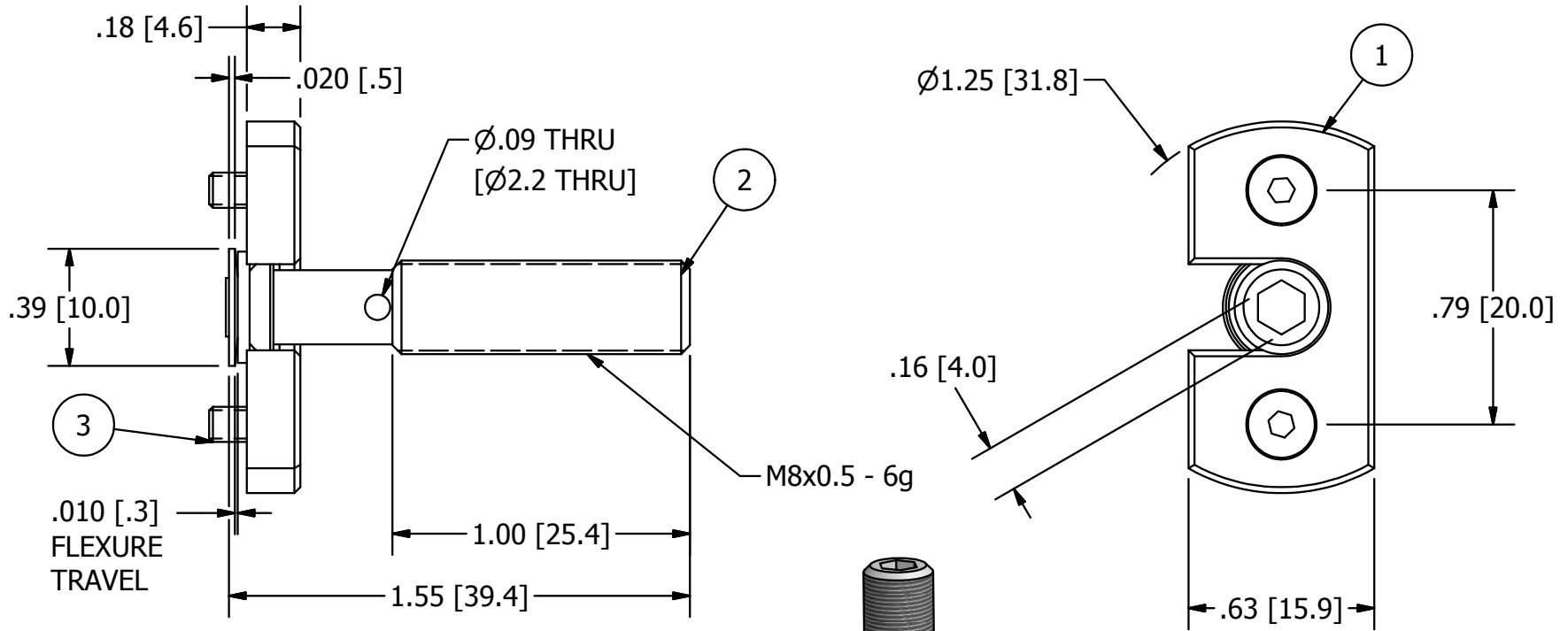


NOTE: KIT IS PACKAGED UNASSEMBLED



SPECIALTY COMPONENTS

1/2/2015

14 VILLAGE LANE - WALLINGFORD, CT 06492
 TEL 203.284.9112 - FAX 203.672.0371
 WEB: WWW.SPECIALTYCOMPONENTS.COM
 MAIL: INFO@SPECIALTYCOMPONENTS.COM

TITLE
FLEXXIT-093

DRAWING NUMBER
670-21413

© 2011 - SPECIALTY COMPONENTS

PARTS LIST			
ITEM	QTY	PART NUMBER	DESCRIPTION
1	1	100-21316	RETAINER 20MM
2	1	100-21437	R5M8 BALL STEM
3	2	200-20200	M3X0.5 x 6mm BHCS