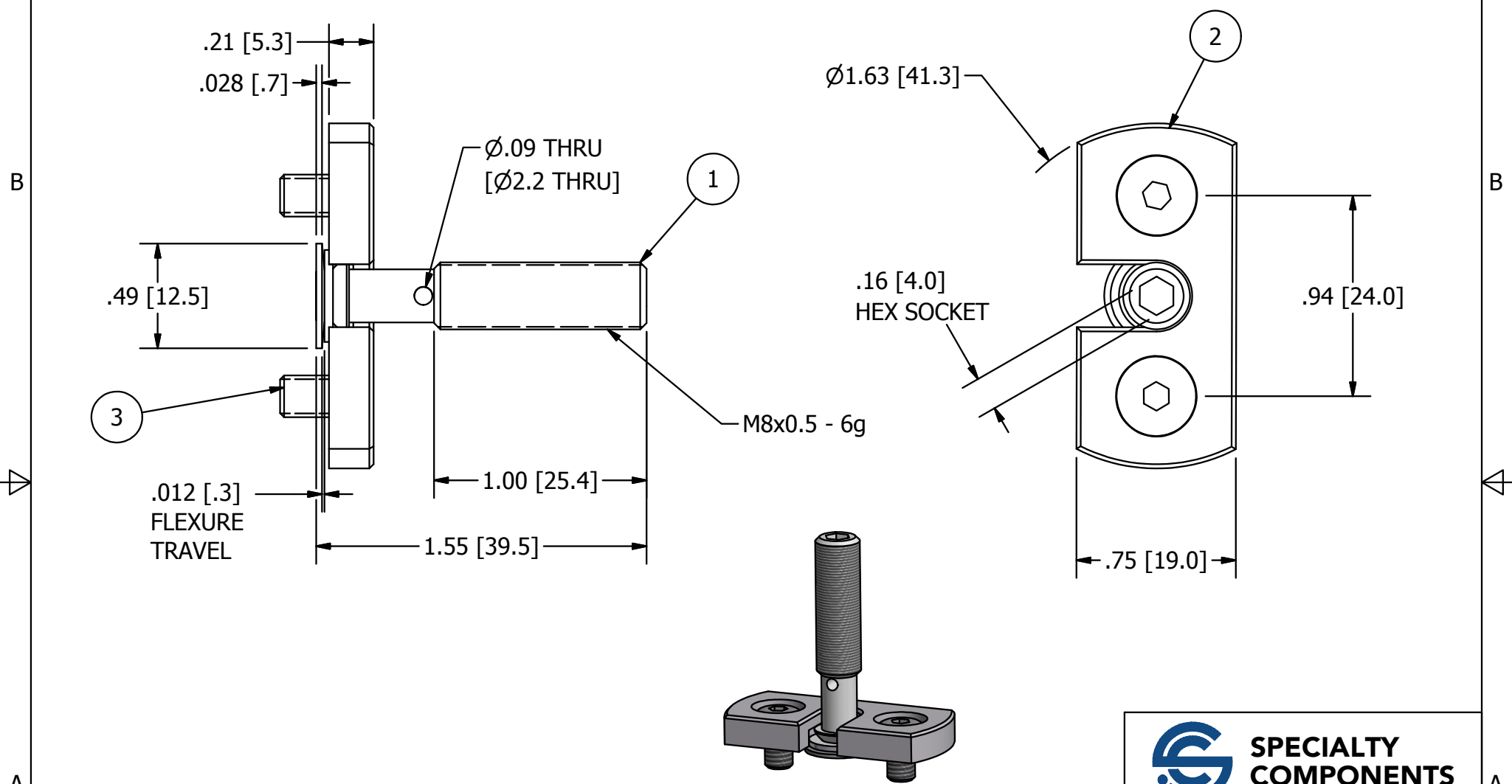



NOTE: KIT IS PACKAGED UNASSEMBLED



PARTS LIST			
ITEM	QTY	PART NUMBER	DESCRIPTION
1	1	100-21437	R5M8 BALL STEM
2	1	100-21463	RETAINER
3	2	200-20204	M5X0.8 x 8mm BHCS

 <b>SPECIALTY COMPONENTS</b>		<small>14 VILLAGE LANE - WALLINGFORD, CT 06492          TEL 203.284.9112 - FAX 203.672.0371          WEB: WWW.SPECIALTYCOMPONENTS.COM          MAIL: INFODIRECT@SPECIALTYCOMPONENTS.COM</small>	
		<small>1/2/2015</small>	<b>TITLE</b> FLEXXIT-190
<b>DRAWING NUMBER</b> 670-21415		<small>© 2011 - SPECIALTY COMPONENTS</small>	