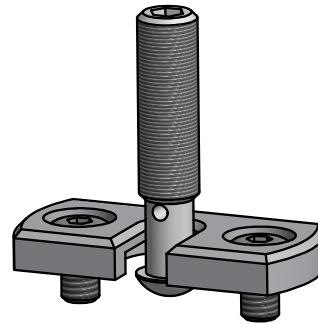
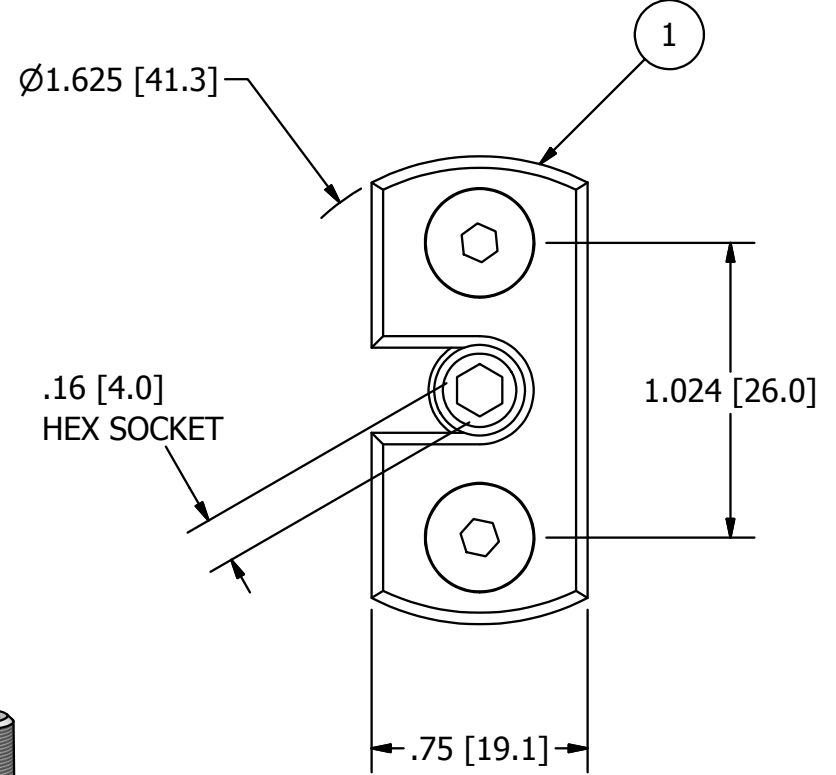
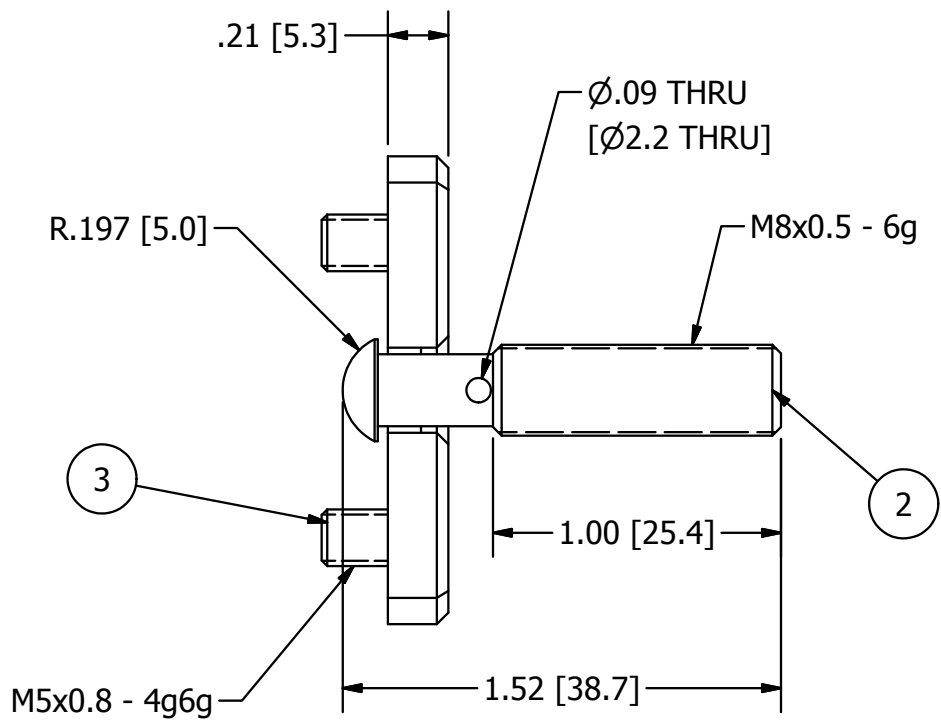


NOTE: KIT IS PACKAGED UNASSEMBLED



1/2/2015

14 VILLAGE LANE - WALLINGFORD, CT 06492  
 TEL 203.284.9112 - FAX 203.672.0371  
 WEB: WWW.SPECIALTYCOMPONENTS.COM  
 MAIL: INFODIRECT@SPECIALTYCOMPONENTS.COM

TITLE  
**STEMKIT-26**

DRAWING NUMBER  
**670-21416**

© 2011 - SPECIALTY COMPONENTS

PARTS LIST			
ITEM	QTY	PART NUMBER	DESCRIPTION
1	1	100-21469	RETAINER 26
2	1	100-21437	R5M8 BALL STEM
3	2	200-20204	M5 x 0.8 x 8 Button Head Cap Screw - Metric