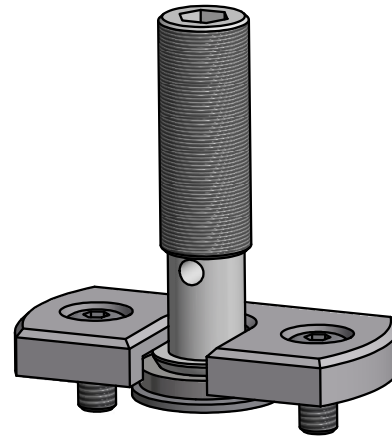
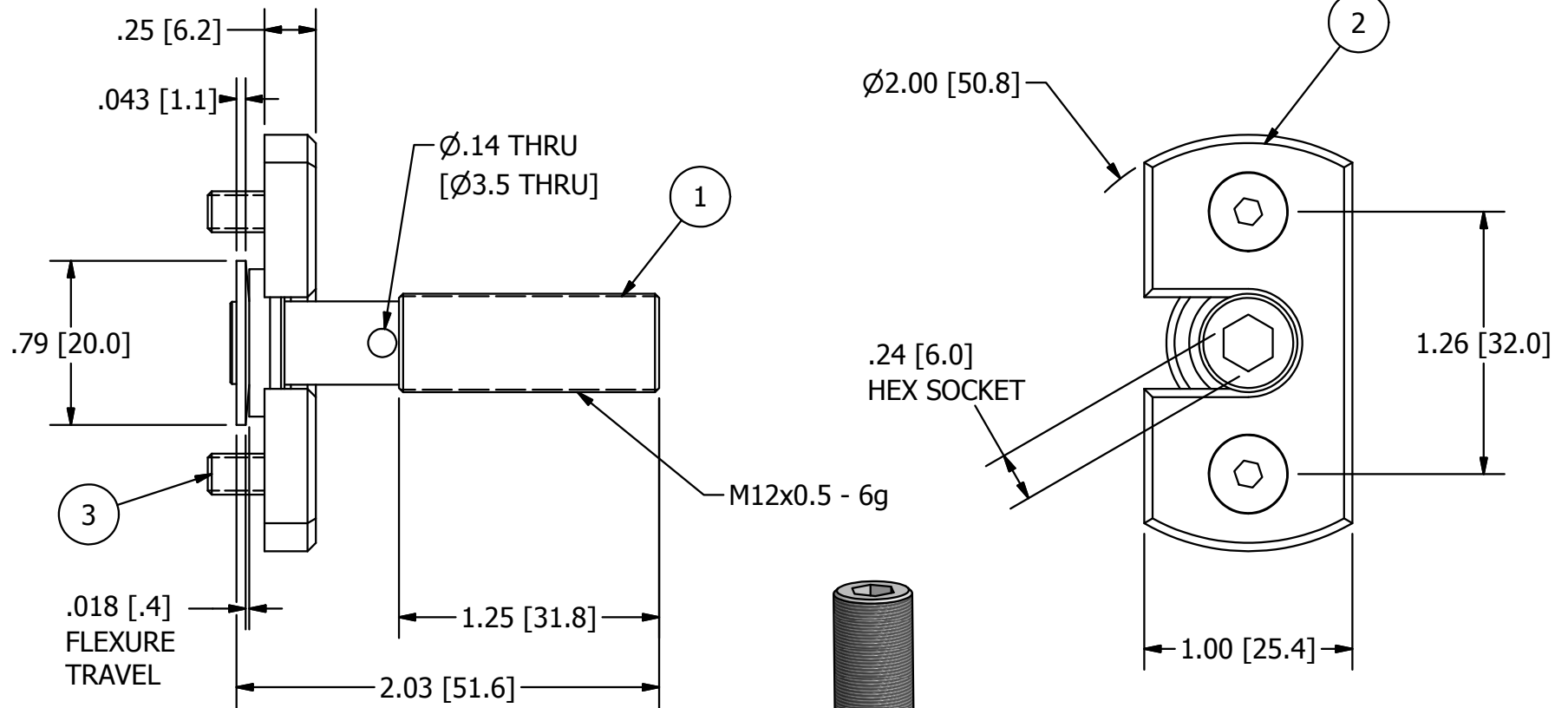


NOTE: KIT IS PACKAGED UNASSEMBLED



SPECIALTY COMPONENTS

1/2/2015

14 VILLAGE LANE - WALLINGFORD, CT 06492
 TEL 203.284.9112 - FAX 203.672.0371
 WEB: WWW.SPECIALTYCOMPONENTS.COM
 MAIL: INFODIRECT@SPECIALTYCOMPONENTS.COM

TITLE
FLEXKIT-437

DRAWING NUMBER
670-21419

© 2011 - SPECIALTY COMPONENTS

PARTS LIST			
ITEM	QTY	PART NUMBER	DESCRIPTION
1	1	100-21472	R8M12 BALL STEM
2	1	100-21474	RETAINER
3	2	200-20205	M5X0.8 x 10mm BHCS