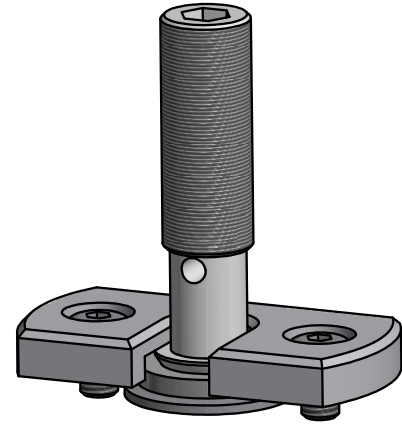
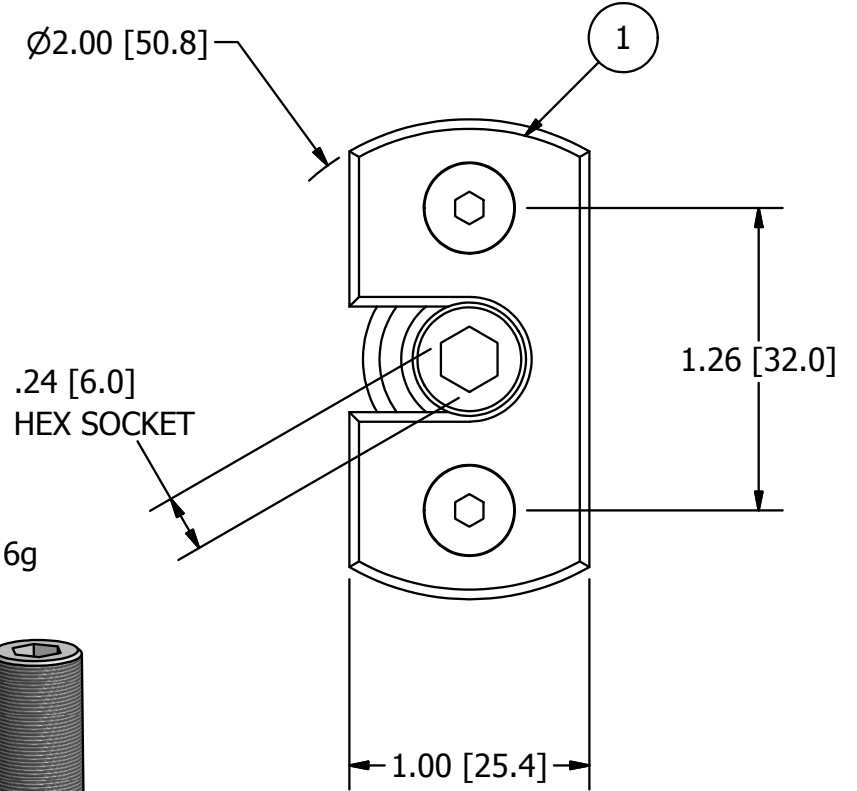
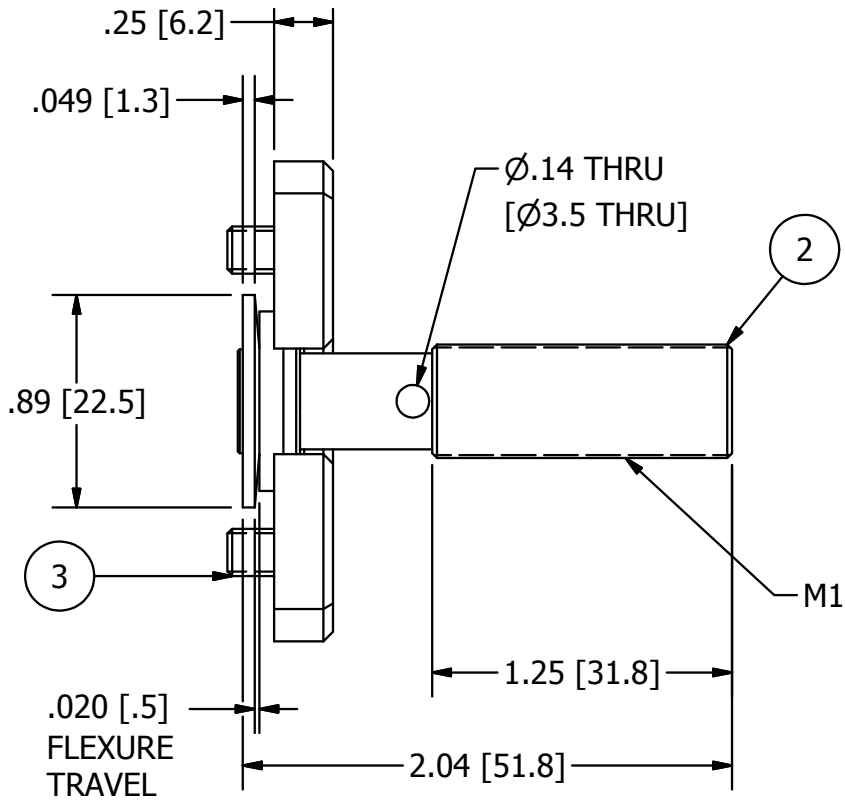


NOTE: KIT IS PACKAGED UNASSEMBLED



14 VILLAGE LANE - WALLINGFORD, CT 06492
 TEL 203.284.9112 - FAX 203.672.0371
 WEB: WWW.SPECIALTYCOMPONENTS.COM
 MAIL: INFODIRECT@SPECIALTYCOMPONENTS.COM

1/2/2015

TITLE
 FLEXXKIT-556

DRAWING NUMBER
 670-21421

© 2011 - SPECIALTY COMPONENTS

PARTS LIST

ITEM	QTY	PART NUMBER	DESCRIPTION
1	1	100-21474	RETAINER
2	1	100-21472	R8M12 BALL STEM
3	2	200-20205	M5X0.8 x 10mm BHCS