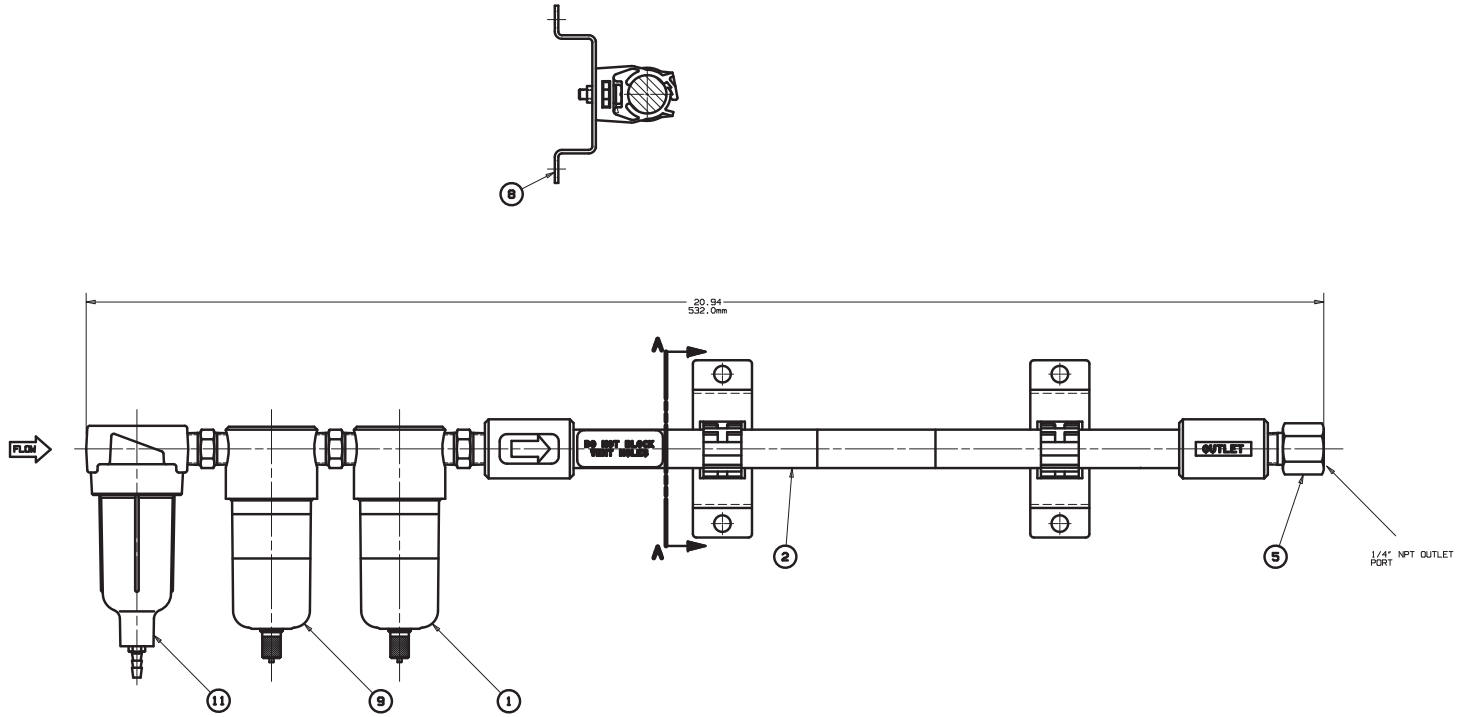
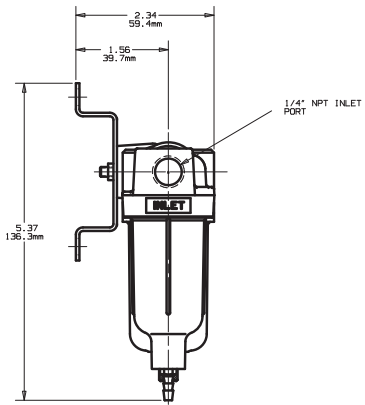


- | NO. | DESCRIPTION                                 |
|-----|---|
| 1   | FILTER ASSY FINE (CARTRIDGE 305-10023)      |
| 2   | ASSY DRIER                                  |
| 5   | 1/4" NPT MALE TO FEMALE ADAPTER             |
| 8   | BRACKET                                     |
| 9   | FILTER ASSY PREFILTER (CARTRIDGE 305-10022) |
| 11  | SEPARATOR ASSY (CARTRIDGE 305-10021)        |



7/3/2013  
 14 VILLAGE LANE - WALLINGFORD, CT 06492  
 TEL: 203.264.9112 - FAX: 203.972.0271  
 WEB: WWW.SPECIALTYCOMPONENTS.COM  
 E-MAIL TO: INFO@SPECIALTYCOMPONENTS.COM

TITLE  
 1 SCFM ACS FILTRATION SYSTEM

DRAWING NUMBER  
 690-27414

© 2011 - SPECIALTY COMPONENTS