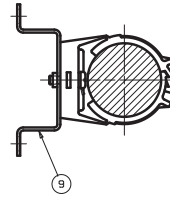
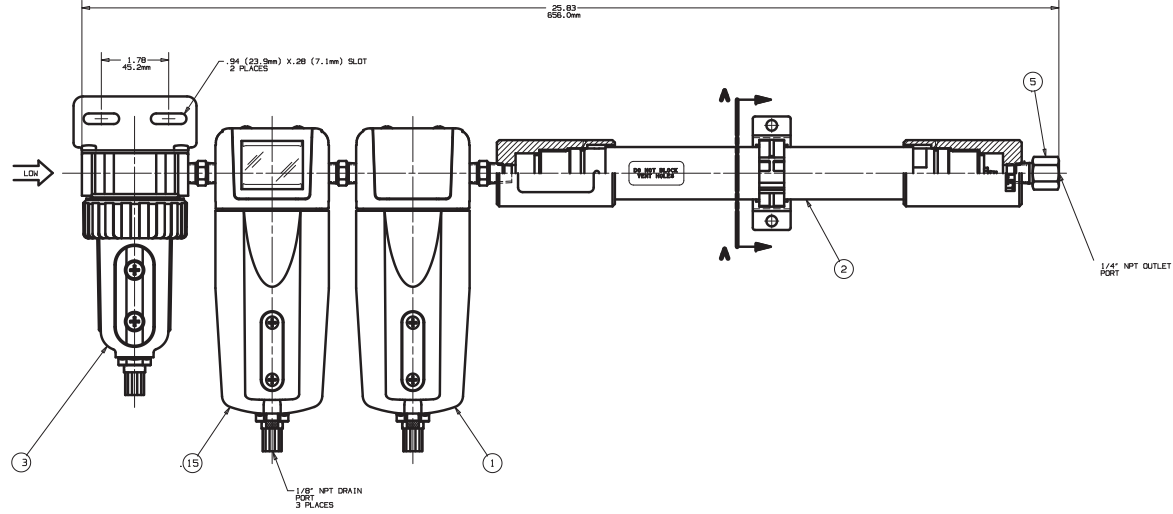
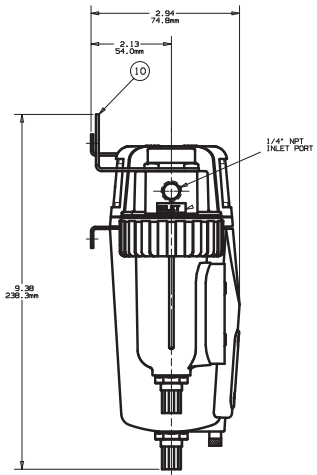



- | NO. | DESCRIPTION |
|-----|---|
| 1 | FILTER ASSY FINE (CARTRIDGE 305-10026) |
| 2 | ASSY DRIER |
| 3 | SEPARATOR ASSY (CARTRIDGE 305-10024) |
| 5 | 1/4" NPT MALE TO FEMALE ADAPTER |
| 9 | CLAMP |
| 10 | BRACKET |
| 15 | FILTER ASSY PREFILTER (CARTRIDGE 305-10025) |



SECTION A-A
SCALE = 1 : 1



		
		<small>14 VILLAGE LANE - WALLINGFORD, CT 06492 TEL: 203-264-9112 - FAX: 203-972-0271 WEB: WWW.SPECIALTYCOMPONENTS.COM E-MAIL TO: INFO@DIRECT@SPECIALTYCOMPONENTS.COM</small>
7/3/2013	TITLE	
3 SCFM ACS FILTRATION SYSTEM		
DRAWING NUMBER		
690-27415		
© 2011 - SPECIALTY COMPONENTS		